

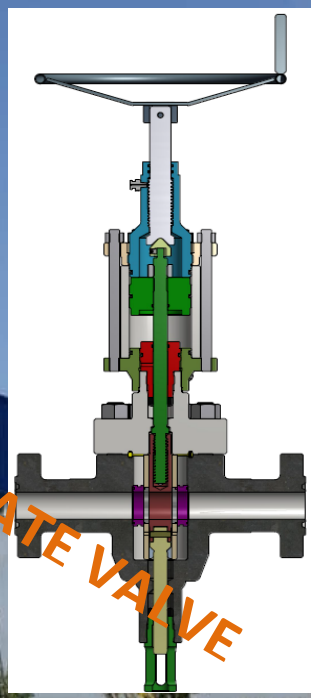
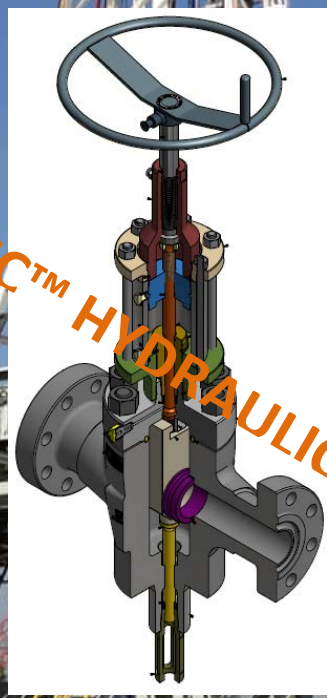
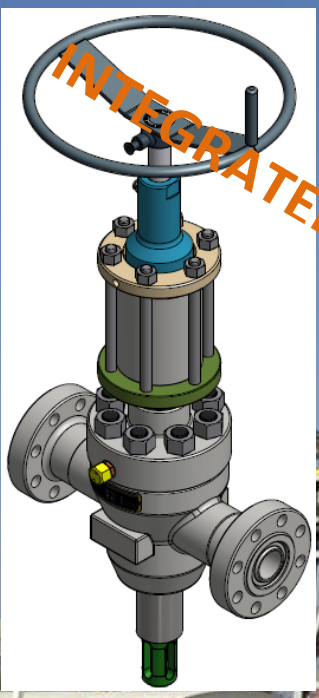
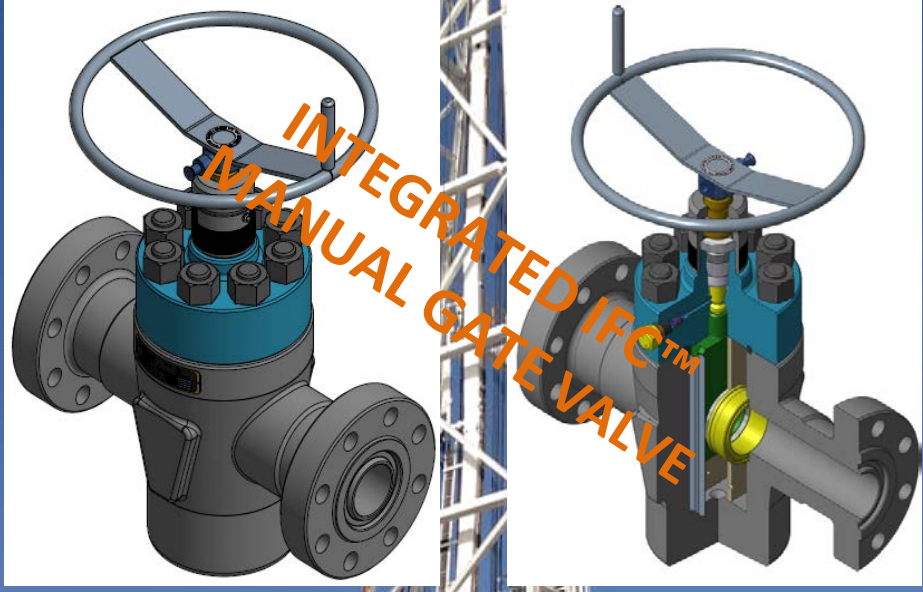
DESIGN | ENGINEERING | OEM API LICENSE MANUFACTURING | ELASTOMER MANUFACTURING USA | GLOBAL REPAIR & REMANUFACTURING SERVICES | GLOBAL PRODUCT DISTRIBUTION



OEM IFC™ GATE VALVE CATALOG

INTEGRATED®

is an established OEM manufacturer of API 6A Monogrammed IFC™ Manual and Hydraulic Operated Gate Valves for use in and with Pressure Control Equipment. Integrated IFC™ is a field proven valve which provide reliability and industry interchangeability.



INTEGRATED® is an API licensed Original Equipment Manufacturer (OEM) of Pressure and Flow Control Equipment for the Global Workover, Snubbing, Drilling, Rental and Production sectors of the Oil and Gas Industry

INTEGRATED OEM MANUFACTURED – API MONOGRAMMED EQUIPMENT & PRODUCTS

API 6A	API 6A	API 6A - API 6C	API 16A	API 16A API 16AR	API 20E	ASME U CRN	API 16A - ISO AQ
WELLHEAD COMPONENTS	PRESSURE CONTROL VALVES	CHOKE & KILL MANIFOLDS	BLOWOUT PREVENTERS (BOP) RAM BLOCKS	REMANUFACTURING RECERTIFICATION SERVICE	BSL BOLTING	PULSATION DAMPENERS	ELASTOMERS OEM & SPARES
Tubing & Casing Spools	IFC™ Slab Gate Valves 1-13/16" to 4-1/2"	Drilling Choke Manifolds	7-1/16" IEC™ Style: Single, Double & Triple Ram BOPs	BOPs: Annular & Ram All Major OEM Brands	Ram & Annular BOP Bolting	PPD (Production Pulsation Dampener) Sizes: 1, 2.5, 5, 10 & 20 gal units Pressure: up to 7,500 psi	BOP Annular Packing Elements (Materials: NR, NBR & HNBR)
Tubing & Casing Hangers	DrillFLO™ Slab Gate Valves (bi-directional & 3G) 2-1/16" to 7-1/16"	Kill Manifolds	9" IWP™ Style: Single & Double Ram BOPs	Choke & Kill Manifolds	Valve Bolting	DPD (Drilling Pulsation Dampener) Sizes: 10 & 20 gal units Pressure: up to 7,500 psi	BOP Ram Front Packers, Top Seals & Door Seals
Tree Caps	AceFLO™ Expanding Gate Valves (bi-directional & 3G) 2-1/16" to 7-1/16"	Frac Flow Back Manifolds	11" & 13-5/8" IWS™ Style: Single & Double Ram BOPs	API Valves (FC, FLS, Etc.)			BOP Annular & Ram Repair Carded Seal Kits
Tees & Crosses			7-1/16" through 13-5/8" IU™ Style: Single & Double Ram BOPs (Shear & Non-Shear)	Pulsation Dampeners			Pulsation Dampener Diaphragms (Bladders)
Companion Flanges			7-1/16" through 21-1/4" ISA™ Style: Spherical Annular BOPs				Pipe Wipers & Stripper Rubbers
PE Seals			7-1/16" through 13-5/8" IK™ Style: GK Annular BOP				Custom Manufacturing
			7-1/16" through 13-5/8" Ram Blocks (IE™, IWP™, I70™ & IU™)				

Integrated's API Certified – Licensed OEM plants provide state-of-the-art manufacturing of our Engineered-Designed Pressure Control Equipment and Elastomeric Products.



Integrated's Oracle - JD Edwards Enterprise Resource Planning (ERP) system integrates our global manufacturing, distribution facilities and service centers



INDEX

1	GENERAL INFORMATION	Page No.
	➤ Integrated Manufactured API Monogrammed Pressure and Flow Control Equipment and Products	3
2	1/13/16" – 10k FC GATE VALVE (Integrated API 6A Monogrammed)	
	➤ Operator: Manual Part Numbers and Dimensions & Weights	4
	➤ Manual Valve: Minor Repair Kit Major Repair Kit	5
3	2-1/16" – 5k FC GATE VALVE (Integrated API 6A Monogrammed)	
	➤ Operator: Manual Part Numbers and Dimensions & Weights	4
	➤ Manual Valve: Minor Repair Kit Major Repair Kit	5
4	2-1/16" – 10k, IFC™ GATE VALVE (Integrated API 6A Monogrammed)	
	➤ Operator: Manual Part Numbers and Dimensions & Weights	4
	➤ Operator: Hydraulic Part Numbers and Dimensions & Weights	4
	➤ Manual Valve: Minor Repair Kit Major Repair Kit	5
	➤ Hydraulic Valve: Minor Repair Kit Major Repair Kit	6
5	3-1/8" – 5k, IFC™ GATE VALVE (Integrated API 6A Monogrammed)	
	➤ Operator: Manual Part Numbers and Dimensions & Weights	4
	➤ Operator: Hydraulic Part Numbers and Dimensions & Weights	4
	➤ Manual Valve: Minor Repair Kit Major Repair Kit	5
	➤ Hydraulic Valve: Minor Repair Kit Major Repair Kit	6
6	3-1/16" – 10k, IFC™ GATE VALVE (Integrated API 6A Monogrammed)	
	➤ Operator: Manual Part Numbers and Dimensions & Weights	4
	➤ Operator: Hydraulic Part Numbers and Dimensions & Weights	4
	➤ Manual Valve: Minor Repair Kit Major Repair Kit	5
	➤ Hydraulic Valve: Minor Repair Kit Major Repair Kit	6
7	4-1/16" – 5k, IFC™ GATE VALVE (Integrated API 6A Monogrammed)	
	➤ Operator: Manual Part Numbers and Dimensions & Weights	4
	➤ Operator: Hydraulic Part Numbers and Dimensions & Weights	4
	➤ Manual Valve: Minor Repair Kit Major Repair Kit	5
	➤ Hydraulic Valve: Minor Repair Kit Major Repair Kit	6
8	4-1/16" – 10k, IFC™ GATE VALVE (Integrated API 6A Monogrammed)	
	➤ Operator: Manual Part Numbers and Dimensions & Weights	4
	➤ Operator: Hydraulic Part Numbers and Dimensions & Weights	4
	➤ Manual Valve: Minor Repair Kit Major Repair Kit	5
	➤ Hydraulic Valve: Minor Repair Kit Major Repair Kit	6
9	INTEGRATED CONTACT INFORMATION	
	➤ Locations Address Contact Numbers Email Address Website ARLF & SSP	7

IFC™ GATE VALVE SIZES AND SPECIFICATIONS

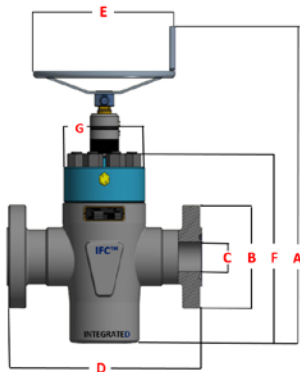
Part Number	Model	Valve Size (in)	Pressure Rating (psi)	Operator	Valve Body & Bonnet Material	Quality Level	Qualification Level	Material Class	Temperature Rating
64-161556100	FC	1-13/16	10,000	Manual	Forging	PSL 3	PR 1	EE - NL	P - U
62-152456100	FC	2-1/16	5,000	Manual	Forging	PSL 3	PR 1	DD - NL	P - U
64-152557100	FC	2-1/16	5,000	Manual	Forging	PSL 3	PR 1	EE - NL	P - U
64-162558100	IFC™	2-1/16	10,000	Manual	Forging	PSL 3	PR 2	EE - NL	P - U
64-162558100H	IFC™	2-1/16	10,000	Hydraulic	Forging	PSL 3	PR 2	EE - NL	P - U
64-155558100	IFC™	3-1/8	5,000	Manual	Forging	PSL 3	PR 2	EE - NL	P - U
64-155558100H	IFC™	3-1/8	5,000	Hydraulic	Forging	PSL 3	PR 2	EE - NL	P - U
64-164558100	IFC™	3-1/16	10,000	Manual	Forging	PSL 3	PR 2	EE - NL	P - U
64-164558100H	IFC™	3-1/16	10,000	Hydraulic	Forging	PSL 3	PR 2	EE - NL	P - U
64-156558100	IFC™	4-1/16	5,000	Manual	Forging	PSL 3	PR 2	EE - NL	P - U
64-156558100H	IFC™	4-1/16	5,000	Hydraulic	Forging	PSL 3	PR 2	EE - NL	P - U
64-166558100	IFC™	4-1/16	10,000	Manual	Forging	PSL 3	PR 2	EE - NL	P - U
64-166558100H	IFC™	4-1/16	10,000	Hydraulic	Forging	PSL 3	PR 2	EE - NL	P - U

IFC™ VALVE SPECIAL FEATURES

Integrated IFC™ is a field proven valve which provide reliability and interchangeability. Our IFC™ slab gate valve features a forged steel body and bonnet, non-rising stem with a floating slab gate & seat and a full-bore design

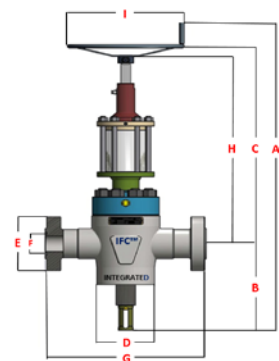
- Nitride coated Gate and Seats for better wear and abrasion resistance.
 - Other coatings such as TC & Inconel are available upon request.
- Standard Ring Grooves and Seat Pockets.
 - Inconel 625 Cladded Ring Grooves and Seat Pockets are available upon request.
- Inconel grease fittings for better performance and temperature endurance.
- MOS2 coated Stem for lower operating torques.
- Temperature Rating up to -50°F TO 350°F.
- Zinc or Cad Plated Bonnet Bolts and Nuts for better corroison resistance.
- Interchangeable with Cameron FC Style Valve.

IFC™ VALVE DIMENSIONS AND WEIGHTS



IFC™ MANUAL GATE VALVES


Part Number	Valve Size	Pressure Rating	A (in)	B (in)	C (in)	D (in)	E (in)	F (in)	G (in)	Weight (lbs)
64-161556100	1-13/16"	10k	28.33	7.38	1.81	18.25	17.74	13.66	9.06	246
62-152557100	2-1/16"	5k	27.74	8.50	2.06	14.62	14.00	12.53	6.90	166
64-162558100	2-1/16"	5k	27.73	7.88	2.06	20.50	17.75	13.39	9.38	256
64-155558100	3-1/8"	10k	32.12	10.50	3.12	18.62	17.75	18.48	9.25	376
64-164558100	3-1/16"	5k	32.54	10.62	3.06	24.38	17.75	20.11	10.13	496
64-156558100	4-1/16"	5k	35.35	12.25	4.06	21.62	17.75	21.08	10.81	556
64-166558100	4-1/16"	10k	37.60	12.44	4.06	26.38	17.75	24.13	10.62	877




IFC™ HYDRAULIC GATE VALVES

Part Number	Valve Size	Pressure Rating	A (in)	B (in)	C (in)	D (in)	E (in)	F (in)	G (in)	H (in)	I (in)	Weight (lbs)
64-162558100H	2-1/16"	10k	51.31	14.06	32.72	6.85	7.88	2.06	20.50	30.25	17.75	384
64-155558100H	3-1/8"	5k	59.51	17.06	37.93	7.60	10.50	3.12	18.62	35.45	17.75	457
64-164558100H	3-1/16"	10k	60.97	17.11	39.33	8.74	10.62	3.06	24.38	36.86	17.75	595
64-156558100H	4-1/16"	5k	67.11	19.87	42.77	9.89	12.25	4.06	21.50	40.37	17.75	636
64-166558100H	4-1/16"	10k	71.43	20.50	46.40	11.23	12.44	4.06	26.38	43.74	17.75	1043

IFC™ MANUAL GATE VALVE MINOR REPAIR KIT

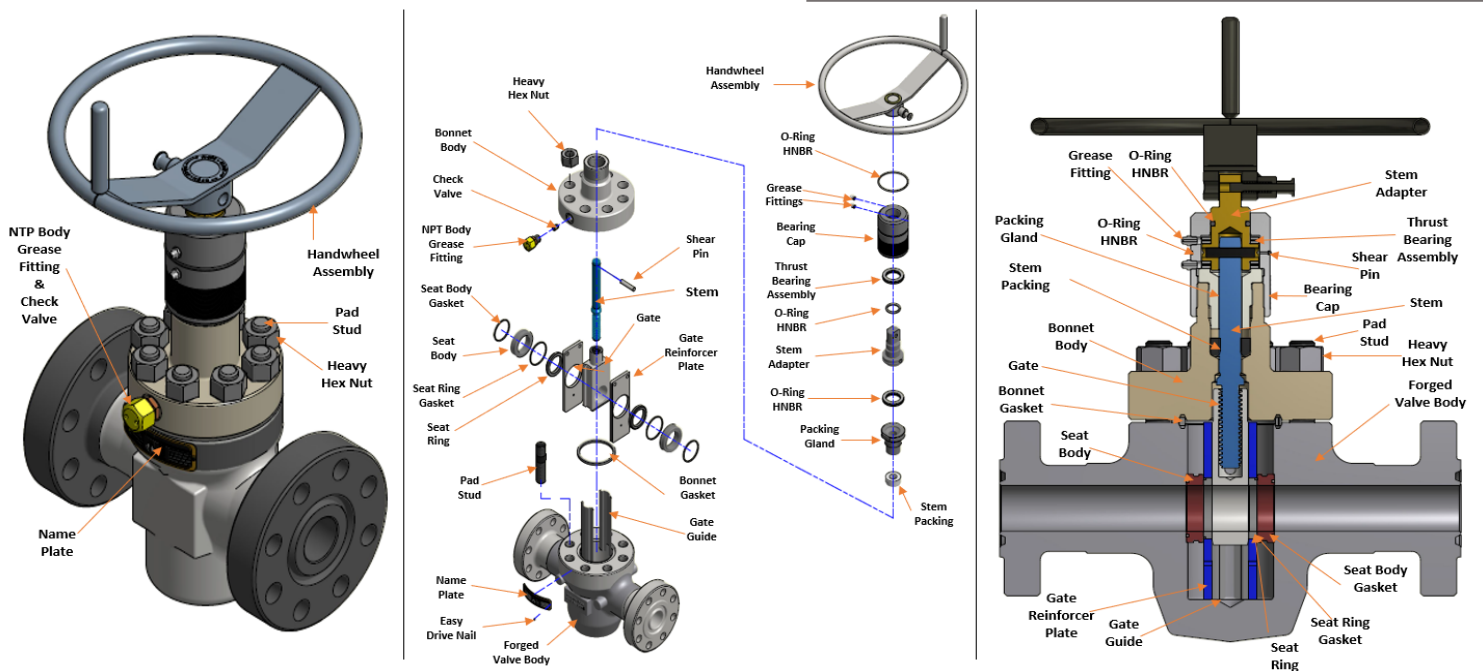
	1-13/16" – 10K		2-1/16" – 5k		2-1/16" – 10k		3-1/8" – 5k		3-1/16" – 10k		4-1/16" – 5k		4-1/16" – 10k		
	Operator -Manual EE-NL P-U PSL3 PR1		Operator -Manual DD or EE-NL P-U PSL3 PR1		Operator -Manual EE-NL P-U PSL3 PR2		Operator -Manual EE-NL P-U PSL3 PR2		Operator -Manual EE-NL P-U PSL3 PR2		Operator -Manual EE-NL P-U PSL3 PR2		Operator -Manual EE-NL P-U PSL3 PR2		
	Complete Kit Part # 62-110EEMNR-KIT		Complete Kit Part # 62-110EEMNR-KIT		Complete Kit Part # 62-110EEMNR-KIT		Complete Kit Part # 62-110EEMNR-KIT		Complete Kit Part # 62-110EEMNR-KIT		Complete Kit Part # 62-110EEMNR-KIT		Complete Kit Part # 62-110EEMNR-KIT		
PART DESCRIPTION	QTY Per KIT	EACH MINOR KIT CONTAINS THE FOLLOWING INDIVIDUAL PARTS													
Bonnet Gasket	1	62-961870188	62-952870188	62-962870188	64-9551118188	62-964870188	64-9561118188	64-9661118188							
Seat Ring	4	62-961750500 (2)	62-962750500 (2)	64-9621118500	64-9641118500	64-9641118500	64-9661118500	64-9661118500							
Seat Body Gasket	2	62-961750490 (2)	62-962750490 (2)	N/A	N/A	N/A	N/A	N/A							
Stem Packing	1	62-961749340	62-961749340	64-9641118340	64-9641118340	64-9641118340	64-9641118340	64-9661118340							
Stem Adapter O-Ring	1	17-090-112	17-090-112	17-100-123	17-100-123	17-100-123	17-100-123	17-100-123							
1/2" NPT Body Grease Fitting	1	15-100-100	15-100-100	15-100-102	15-100-102	15-100-102	15-100-102	15-100-102							
Thrust Bearing Assembly	1	62-968881230	62-968881230	64-9621118230	64-9621118230	64-9621118230	64-9621118230	64-9621118230							

IFC™ MANUAL GATE VALVE MAJOR REPAIR KIT


	1-13/16" – 10K		2-1/16" – 5k		2-1/16" – 10k		3-1/8" – 5k		3-1/16" – 10k		4-1/16" – 5k		4-1/16" – 10k		
	Operator -Manual EE-NL P-U PSL3 PR1		Operator -Manual DD or EE-NL P-U PSL3 PR1		Operator -Manual EE-NL P-U PSL3 PR2		Operator -Manual EE-NL P-U PSL3 PR2		Operator -Manual EE-NL P-U PSL3 PR2		Operator -Manual EE-NL P-U PSL3 PR2		Operator -Manual EE-NL P-U PSL3 PR2		
	Complete Kit Part # 62-110EEMNR-KIT		Complete Kit Part # 62-110EEMNR-KIT		Complete Kit Part # 62-110EEMNR-KIT		Complete Kit Part # 62-110EEMNR-KIT		Complete Kit Part # 62-110EEMNR-KIT		Complete Kit Part # 62-110EEMNR-KIT		Complete Kit Part # 62-110EEMNR-KIT		
PART DESCRIPTION	QTY Per KIT	EACH MAJOR KIT CONTAINS THE FOLLOWING INDIVIDUAL PARTS													
Bonnet Gasket	1	62-961870188	62-952870188	62-962870188	64-9551118188	62-964870188	64-9561118188	64-9661118188							
Gate Guide	2	62-969870488	62-969870488	64-9221118448	64-9241118448	62-964870448	64-9561118448	64-9661118448							
Gate – Nitride Coating	1	64-961456400	62-962456400	64-9611118400	64-9641118400	64-9641118400	64-9561118400	64-9661118400							
Seat Ring – Nitride Coating	2	64-961456488	62-962456488	64-9621118488	64-9641118488	64-9641118488	64-9561118488	64-9661118488							
Gate Reinforcer Plate	2	62-961456428	62-962456428	64-9621118428	64-9641118428	64-9641118428	64-9561118428	64-9661118428							
Stem	1	62-969456388	62-969456388	64-9621118388	64-9641118388	64-9641118388	64-9561118388	64-9661118388							
1/2" NPT Body Grease Fitting	1	15-100-100	15-100-100	15-100-102	15-100-102	15-100-102	15-100-102	15-100-102							
Body Bushing	2	62-961556468	62-962456468	64-9621118468	64-9551118468	64-9641118468	64-9561118468	64-9661118468							
Shear Pin	1	21-020-002	21-020-002	64-9621118468	30-000082	30-000082	30-000082	21-020-018							
Seat Ring Gasket	4*	62-961750500 (2)	62-962750500 (2)	64-9621118500	64-9641118500	64-9641118500	64-9661118500	64-9661118500							
Stem Packing	1	62-961749340	62-961749340	64-9641118340	64-9641118340	64-9641118340	64-9641118340	64-9661118340							
Stem Adapter O-Ring	1	17-090-112	17-090-112	17-100-123	17-100-123	17-100-123	17-100-123	17-100-124							
Thrust Bearing Assy	2	62-968881230	62-968881230	64-9621118230	64-9621118230	64-9621118230	64-9621118230	64-9621118230							
Seat Body Gasket	2*	62-961750490 (2)	62-962750490 (2)	N/A	N/A	N/A	N/A	N/A							




IFC™ Manual Gate Valve Exploded View with Part Identification



IFC™ HYDRAULIC GATE VALVE MINOR REPAIR KIT

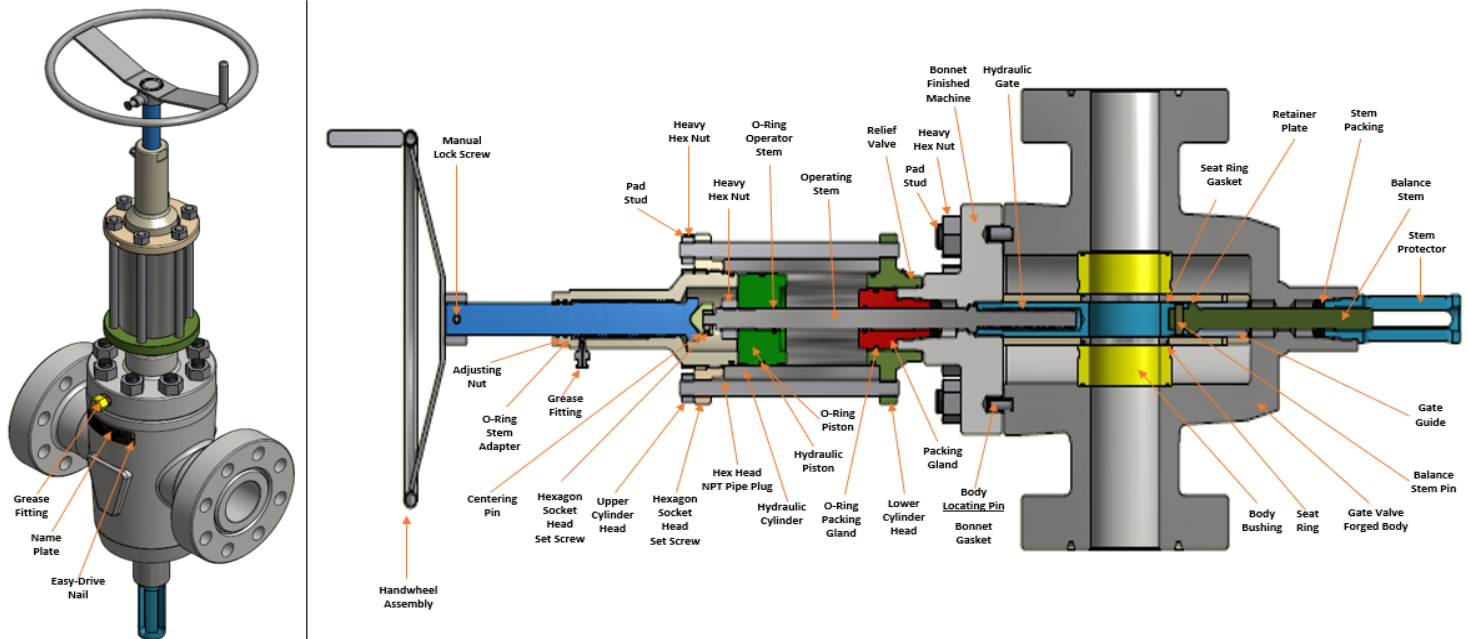
		2-1/16" – 10k	3-1/8" – 5k	3-1/16" – 10k	4-1/16" – 5k	4-1/16" – 10k
		Operator -Hydraulic EE-NL P-U PSL3 PR2	Operator -Hydraulic EE-NL P-U PSL3 PR2	Operator -Hydraulic EE-NL P-U PSL3 PR2	Operator -Hydraulic EE-NL P-U PSL3 PR2	Operator -Hydraulic EE-NL P-U PSL3 PR2
		Complete Kit Part # 62-210EEHYD-KIT	Complete Kit Part # 62-35EEHYD-KIT	Complete Kit Part # 62-310EEHYD-KIT	Complete Kit Part # 62-45EEHYD-KIT	Complete Kit Part # 62-410EKIT-KIT
EACH MINOR KIT CONTAINS THE FOLLOWING INDIVIDUAL PARTS						
Part Description	QTY Per KIT	64-964118340	64-964118340	64-964118340	64-964118340	64-966118340
Stem Packing, IFC	2	64-962118500	64-964118500	64-964118500	94-966118500	64-966118500
Seat Gasket, IFC	4	62-962870188	64-955118188	64-964118188	64-956118188	62-40610-0004
Bonnet Gasket, IFC	1	17-100-123	17-100-123	17-100-123	17-100-123	17-100-123
O-Ring, Stem Adapter	2	31-000043	31-000043	31-000043	31-000043	31-000035
O-Ring, Piston	3	17-200-103	17-200-103	17-200-103	17-200-103	31-000117
O-Ring, Operator Piston	2	31-000039	31-000039	31-000039	31-000039	31-000034
O-Ring, Packing Gland	1					

IFC™ HYDRAULIC GATE VALVE MAJOR REPAIR KIT

		2-1/16" – 10k	3-1/8" – 5k	3-1/16" – 10k	4-1/16" – 5k	4-1/16" – 10k
		Operator -Hydraulic EE-NL P-U PSL3 PR2	Operator -Hydraulic EE-NL P-U PSL3 PR2	Operator -Hydraulic EE-NL P-U PSL3 PR2	Operator -Hydraulic EE-NL P-U PSL3 PR2	Operator -Hydraulic EE-NL P-U PSL3 PR2
		Complete Kit Part # 62-210EEHYD-KIT	Complete Kit Part # 62-35EEHYD-KIT	Complete Kit Part # 62-310EEHYD-KIT	Complete Kit Part # 62-45EEHYD-KIT	Complete Kit Part # 62-410EEHYD-KIT
EACH MAJOR KIT CONTAINS THE FOLLOWING INDIVIDUAL PARTS						
Part Description	QTY Per KIT	64-964118340	64-964118340	64-964118340	64-964118340	64-966118340
Stem Packing, IFC	2	64-962118970	64-9510118970	64-9510118970	64-955118970	64-966118970
Balance Stem, IFC	1	21-020-017	21-020-017	21-020-017	21-020-017	21-020-019
Balance Stem Pin, IFC	1	64-962118468	64-955118468	64-964118468	64-956118468	64-966118468
Body Bushing	2	64-962118500	64-964118500	64-964118500	94-966118500	64-966118500
Seat Ring Gasket	4	64-962118488	64-964118488	64-964118488	94-956118488	62-40610-0036
Seat Ring, IFC	2	64-962118428	64-964118428	64-964118428	94-956118428	64-966118428
Retainer Plate, IFC	2	64-922118402	64-951118402	64-951118402	64-955118402	64-966118402
Gate, Hydraulic, IFC	1	64-922118448	64-924118448	62-964870448	64-956118448	64-966118448
Gate Guide, IFC	2	62-962870188	64-955118188	64-964118188	64-956118188	62-40610-0004
Bonnet Gasket	1	64-962118140	64-955118140	64-964118140	64-956118140	64-966118140
GV Bonnet, IFC	1	17-100-123	17-100-123	17-100-123	17-100-123	17-100-123
O-Ring, Stem Adapter	2	31-000043	31-000043	31-000043	31-000043	31-000035
O-Ring, Piston	3	17-200-103	17-200-103	17-200-103	17-200-103	31-000117
O-Ring, Operator Piston	2	31-000039	31-000039	31-000039	31-000039	31-000034
O-Ring, Packing Gland	1					



IFC™ Hydraulic Gate Valve Exploded View with Part Identification





USA | Canada | Mexico | Colombia | Dubai | Singapore | Australia | Bahrain | Europe



GLOBAL HEADQUARTERS

5701 Brittmoore Road, Houston, Texas 77041 USA

Contact: 713-785-7075 | Fax: 713-785-7099 | Email: sales@integratedwww.com | Website: integratedwww.com



OEM ELASTOMER MANUFACTURING PLANT

31811 Industrial Park Drive, Pinehurst, Texas 77362 USA



WEST TEXAS DISTRIBUTION FACILITY

13020 Hwy 191 – Suite H, Midland, Texas 79707 USA

INTEGRATED EQUIPMENT LIMITED

OEM EQUIPMENT MANUFACTURING PLANT

Pune-Nagar Highway, Kondhapuri, Pune 412209

❖ **Australia ARLF** (Authorized Repair License Facility) & Distribution

Well Control Solutions (WCS)

24 Enterprise Street, Richlands, QLD 4077

Contact: +61-7-3375-4388 | Email: sales@well-control.com.au



❖ **Canada ARLF** (Authorized Repair License Facility) & Distribution

Red Deer Well Control (RDWC)

6670 – 53rd Avenue, Unit #B, Edmonton, Alberta T6B 3H8

Contact: +780-466-3149 | Email: aspalding@rdwc.com

