



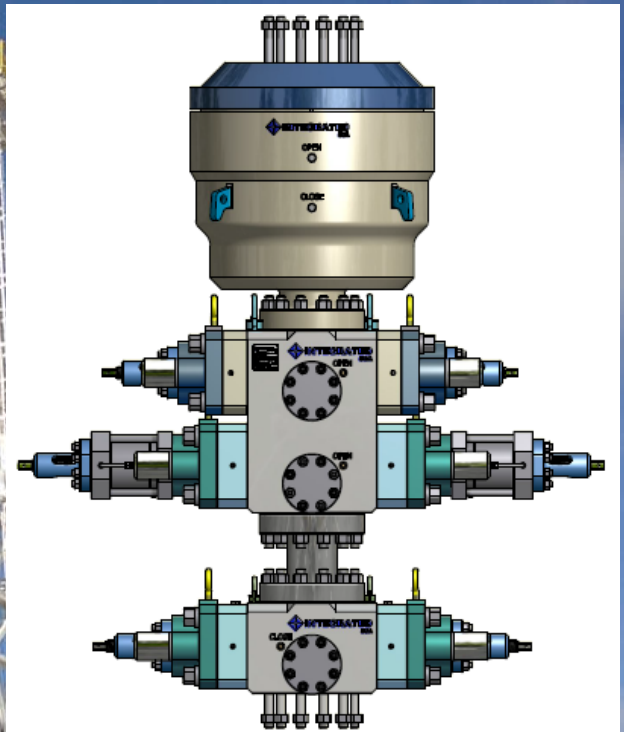
INTEGRATED®

OEM RAM IU™ BOP CATALOG

INTEGRATED®

is an established OEM manufacturer of API Monogrammed Pressure Control Equipment and Spare Parts that meets or exceed industry Requirements. All products are designed, engineered, manufactured, and validated as per latest edition of API 6A, 16A, 20E & ASME Standards & Specifications.

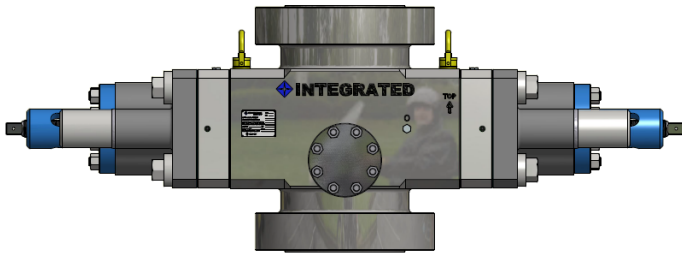
INTEGRATED IU™ Forged Ram BOP ("U" Style) is one of the most utilized BOPs globally for well control application. The IU™ has the widest flexibility in BOP Size, Pressure Ratings, Shear capability, Ram Assembly Variety and Connections (studded, flanged or hub).



INTEGRATED® is an API licensed Original Equipment Manufacturer (OEM) of Pressure and Flow Control Equipment for the Global Workover, Snubbing, Drilling, Rental and Production sectors of the Oil and Gas Industry

**INTEGRATED OEM API 16A MONOGRAMMED
TYPE IU[™] RAM BLOWOUT PREVENTER**

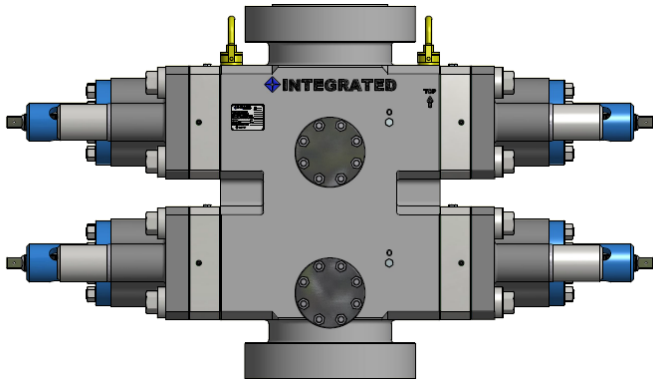
The Integrated Model IU[™] Ram Type Blowout Preventer (BOP) is used to contain wellbore pressure in land and platform drilling operations. The rams in IU[™] BOP are hydraulically operated and pressure energized. Wellbore pressure acts on the rams to increase sealing force and maintain the wellbore seal in the event of hydraulic pressure loss. As the wellbore pressure increases, seal integrity is improved.



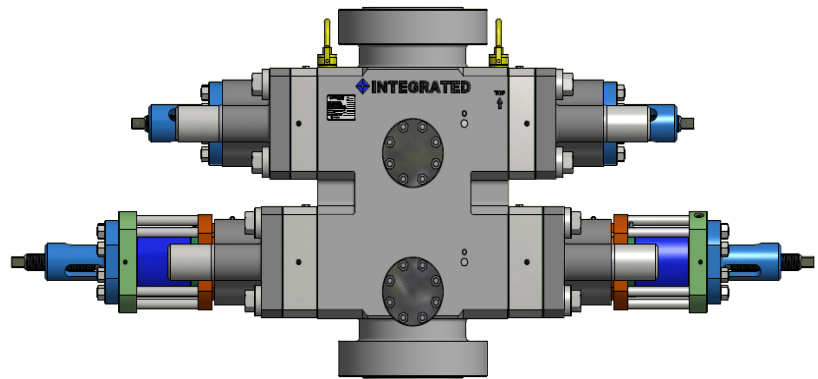
SR Ram Forged Non Shear IU[™] BOP
Standard Bonnets, Intermediates & Pistons



SR Ram Forged Shear IU[™] BOP
Large Bore Shear Bonnets and Tandem Boosters



DR Ram Forged Non Shear IU[™] BOP
Standard Bonnets, Intermediates & Pistons



DR Ram Forged Shear IU[™] BOP
Large Bore Shear Bonnets and Tandem Boosters

PRODUCT SPECIFICATIONS

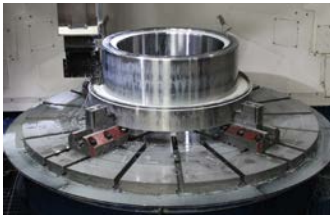
- Designed and manufactured to ISO 13533 (API 16A) for Drill-through equipment
- API 16A MONOGRAMMED
- Designed as standard to ISO 15156-1 (NACE MR-0175) for use in hydrogen sulfide environments
- Material: Fully Forged AISI 4130, 75k
- Xylan coated internals for corrosion control
- Manual Ram locking device
- Wellbore fluid wetted dynamic sealing surfaces are hard faced, providing durable sealing surfaces that protect the integrity of the low alloy steel structure even after minor marring of the hard facing.
- The hydraulic fluid wetted dynamic sealing surfaces are either hard chrome plated or hard faced assuring maximum performance
- Ring Grooves are either SS316 or Inconel Inlays (client option)
- All combinations of industry standard end connections (Flg x Flg | Flg x Std | Std x Flg | Std x Std | Hub) and side outlets (Flg | Std | Hub) are available for easy integration into a blowout preventer stack. Many bore and working pressure sizes of Model.

INTEGRATED OEM API 16A MONOGRAMMED TYPE IU™ RAM BLOWOUT PREVENTER

PRODUCT FEATURES AND BENEFITS

- Easy field maintenance. All components with dynamic sealing surfaces in the bonnet assembly can be replaced in the field.
- **IU™** blowout preventers can be fitted with Integrated Large Bore Shear Assemblies (LBSA) to meet the ever rising pipe shearing challenges. The LBSA consist of; Large Bore Shear Bonnets, Intermediates, Pistons, Large Bore Shear Bonnet Bolts and Tandem Boosters.
- Large assortment of ram sizes available (CSO, Pipe, VBR and SBR)
- The component parts of a Model **IU™** blowout preventer are suitable for use as replacement parts for most U style ram type blowout preventers
- The same manufacturing standards and packers and seals that are employed to produce the Integrated Model **IU™** ram type blowout preventer is used in Integrated's remanufacturing operations of ram type blowout preventers.

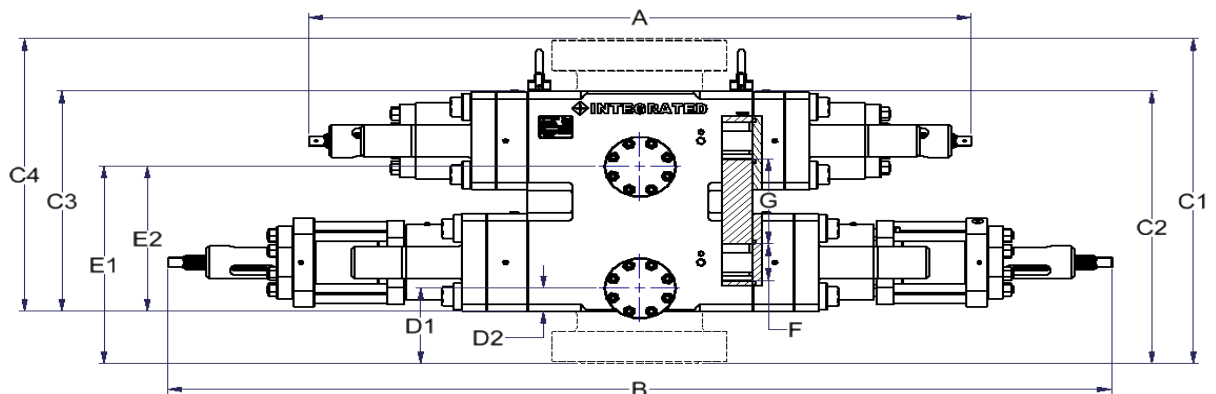
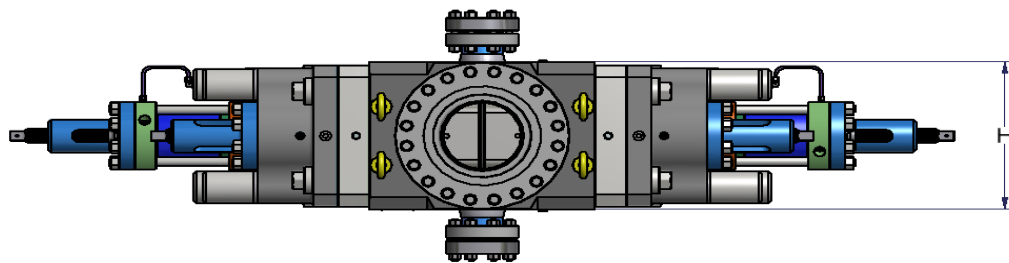
Integrated's API Certified – Licensed OEM plants provide state-of-the-art manufacturing of our Engineered-Designed Pressure Control Equipment and Elastomeric Products. Integrated - JD Edwards ERP system integrates our global manufacturing and distribution facilities.



**INTEGRATED OEM API 16A MONOGRAMMED
TYPE IU™ RAM BLOWOUT PREVENTER**
PRODUCT DIMENSIONS AND WEIGHTS
IU™ RAM FORGED SHEAR AND NON-SHEAR BOP (CLOSED POSITION)

The information below applies to Integrated Model IU™ ram type blowout preventers. Dimensions shown in the following chart are in inches and are approximate.

- A** - Length – Bonnets closed, locking screws locked
- B** - Length – Bonnets opened, locking screws unlocked
- C1** - Height – Top Flange x Bottom Flange connections
- C2** - Height – Top Studded x Bottom Flange connections
- C3** - Height – Top Flange x Bottom Studded connections
- C4** - Height – Top Flange x Bottom Studded connections
- D1** - Height – Centerline of lower side outlet below rams to bottom flange face
- D2** - Height – Centerline of lower side outlets below rams to bottom studded face
- E1** - Height – Centerline of upper side outlet below rams to bottom flange face
- E2** - Height – Centerline of upper side outlet below rams to bottom studded face
- F** - Height of ram
- G** - Height – Top of lower ram to bottom of upper ram
- H** - Width – Body only (without side outlets)



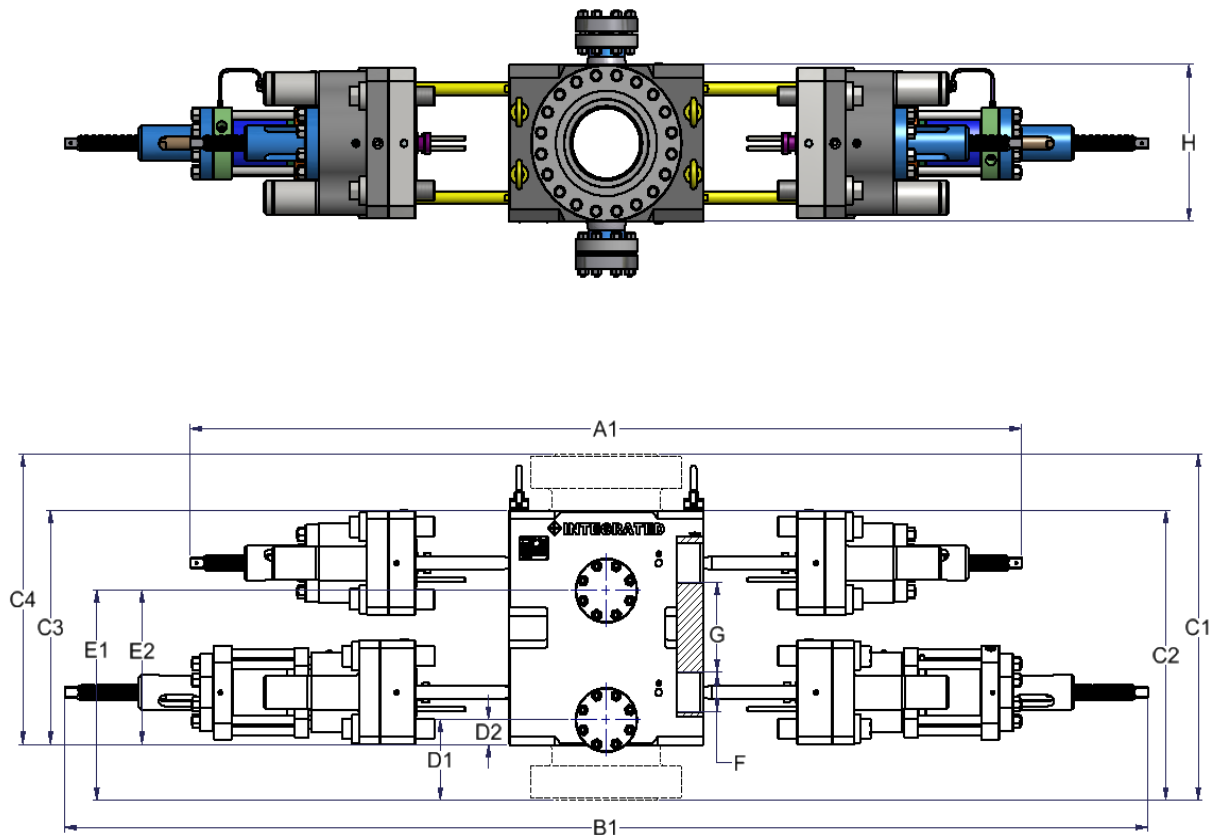
**INTEGRATED OEM API 16A MONOGRAMMED
TYPE IU™ RAM BLOWOUT PREVENTER**
SINGLE AND DOUBLE RAM IU™ BLOWOUT PREVENTER DIMENSIONS AND WEIGHTS (Closed)

SIZE (in)	PRESSURE RATING (psi)	A (in.)	B (in.)	C1 (in.)	C2 (in.)	C3 (in.)	C4 (in.)	D1 (in.)	D2 (in.)	E1 (in.)	E2 (in.)	F (in.)	G (in.)	H (in.)	ESTIMATED AVG WT (lbs) – N/S
7-1/16 Single	5000	72.70	101.30	28.00	21.10	16.00	21.10	11.43	4.25	-	-	5.50	-	20.50	3469
7-1/16 Double	5000	72.70	101.30	43.80	41.10	32.70	41.10	10.54	4.50	26.54	21.19	5.50	8.44	20.50	6725
7-1/16 Single	10000	72.50	102.50	31.70	23.87	17.00	23.87	11.81	4.25	-	-	5.50	-	20.00	4190
7-1/16 Double	10000	72.50	102.50	49.80	42.60	35.10	41.10	11.81	4.25	29.87	22.31	5.50	12.50	20.00	7731
11 Single	5000	99.50	140.00	36.10	26.65	21.60	26.65	16.00	6.55	-	-	6.75	-	25.80	7600
11 Double	5000	99.50	140.00	56.29	46.84	41.60	46.84	14.04	6.20	34.23	21.80	6.75	20.19	25.80	14000
11 Single	10000	99.50	142.60	37.20	27.20	21.60	27.20	16.55	6.55	-	-	6.75	-	25.80	7900
11 Double	10000	99.50	142.60	57.39	47.39	41.6	47.39	16.20	6.20	35.53	25.53	6.75	20.19	25.80	14600
13-5/8 Single	5000	112.00	162.70	34.00	25.94	20.00	25.94	15.18	7.87	-	-	7.50	-	29.00	9022
13-5/8 Double	5000	112.00	162.70	56.00	49.60	42.10	48.60	12.20	7.87	34.26	26.87	7.50	14.56	29.00	18205
13-5/8 Single	10000	114.70	163.70	41.70	31.00	23.50	31.00	15.56	9.00	-	-	7.50	-	30.25	11350
13-5/8 Double	10000	114.70	163.70	66.70	55.93	48.40	55.93	15.56	6.44	40.50	31.38	7.50	17.44	30.25	21704

**INTEGRATED OEM API 16A MONOGRAMMED
TYPE IU™ RAM BLOWOUT PREVENTER**
IU™ RAM FORGED SHEAR AND NON-SHEAR BOP (OPEN POSITION)

The information below applies to Integrated Model IU™ ram type blowout preventers. Dimensions shown in the following chart are in inches and are approximate.

- A** - Length – Bonnets closed, locking screws locked
- B** - Length – Bonnets opened, locking screws unlocked
- C1** - Height – Top Flange x Bottom Flange connections
- C2** - Height – Top Studded x Bottom Flange connections
- C3** - Height – Top Flange x Bottom Studded connections
- C4** - Height – Top Flange x Bottom Studded connections
- D1** - Height – Centerline of lower side outlet below rams to bottom flange face
- D2** - Height – Centerline of lower side outlets below rams to bottom studded face
- E1** - Height – Centerline of upper side outlet below rams to bottom flange face
- E2** - Height – Centerline of upper side outlet below rams to bottom studded face
- F** - Height of ram
- G** - Height – Top of lower ram to bottom of upper ram
- H** - Width – Body only (without side outlets)



**INTEGRATED OEM API 16A MONOGRAMMED
TYPE IU™ RAM BLOWOUT PREVENTER**
SINGLE AND DOUBLE RAM IU™ BLOWOUT PREVENTER DIMENSIONS AND WEIGHTS (OPEN)

SIZE (in.)	PRESSURE RATING (psi)	A (in.)	B (in.)	C1 (in.)	C2 (in.)	C3 (in.)	C4 (in.)	D1 (in.)	D2 (in.)	E1 (in.)	E2 (in.)	F (in.)	G (in.)	H (in.)	ESTIMATED AVG. WT. (lbs.) Shear
7-1/16 Single	5000	109.00	137.60	28.00	21.10	16.00	21.10	11.43	4.25	-	-	5.50	-	20.50	3972
7-1/1 Double	5000	109.00	137.60	43.80	41.10	32.70	41.10	10.54	4.50	26.54	21.19	5.50	8.44	20.50	7273
7-1/16 Single	10000	108.00	138.00	31.70	23.87	17.00	23.87	11.81	4.25	-	-	5.50	-	20.00	4583
7-1/16 Double	10000	108.00	138.00	49.80	42.60	35.10	41.10	11.81	4.25	29.87	22.31	5.50	12.50	20.00	8300
11 Single	5000	150.00	192.50	36.10	26.65	21.60	26.65	16.00	6.55	-	-	6.75	-	25.80	8300
11 Double	5000	150.00	192.50	56.29	46.84	41.60	46.84	14.04	6.20	34.23	21.80	6.75	20.19	25.80	15000
11 Single	10000	150.00	195.00	37.20	27.20	21.60	27.20	16.55	6.55	-	-	6.75	-	25.80	9000
11 Double	10000	150.00	195.00	57.39	47.39	41.6	47.39	16.20	6.20	35.53	25.53	6.75	20.19	25.80	5700
13-5/8 Single	5000	171.50	222.00	34.00	25.94	20.00	25.94	15.18	7.87	-	-	7.50	-	29.00	10750
13-5/8 Double	5000	171.50	222.00	56.00	49.60	42.10	48.60	12.20	7.87	34.26	26.87	7.50	14.56	29.00	19753
13-5/8 Single	10000	172.80	221.80	41.70	31.00	23.50	31.00	15.56	9.00	-	-	7.50	-	30.25	14050
13-5/8 Double	10000	172.80	221.80	66.70	55.93	48.40	55.93	15.56	6.44	40.50	31.38	7.50	17.44	30.25	23504

**Large Bore Shear Assembly (LBSA): Large Bore Shear Bonnets, Intermediates, Pistons and Tandem Boosters*

INTEGRATED OEM API 16A MONOGRAMMED TYPE IU™ RAM BLOWOUT PREVENTER

PRODUCT OPERATING DATA AND FLUID REQUIREMENT

All Integrated Model IU™ ram type blowout preventers are supplied with labeled “OPEN” and “CLOSED” ports located on the body of the blowout preventers. The connections to the hydraulic operating system of the blowout preventer are 1” NPT.

STANDARD PIPE BONNET IU™ HYDRAULIC OPERATING DATA

BORE SIZE (in.)	WORKING PRESSURE (psi)	GALS TO OPEN RAMS (1 set)	GALS TO CLOSE RAMS (1 set)	OPENING RATIO	CLOSING RATIO	LOCKING SCREW TURNS (each end)
7-1/16	3000 5000 10000 15000	1.30	1.30	2.2:1	6.9:1	18
11	3000 5000 10000	3.40	3.50	2.5:1	7.3:1	27
13-5/8	3000 5000 10000	5.50	5.80	2.3:1	7.0:1	32

LARGE BORE SHEAR BONNETS IU™ HYDRAULIC OPERATING DATA

BORE SIZE (in.)	WORKING PRESSURE (psi)	GALS TO OPEN RAMS (1 set)	GALS TO CLOSE RAMS (1 set)	OPENING RATIO	CLOSING RATIO	LOCKING SCREW TURNS (each end)
7-1/16	3000 5000 10000 15000	2.40	2.50	4.2:1	10.4:1	18
11	3000 5000 10000	6.80	7.90	4.8:1	12.0:1	27
13-5/8	3000 5000 10000	10.50	10.90	4.5:1	10.8:1	32

LARGE BORE SHEAR BONNETS WITH TANDEM BOOSTERS IU™ HYDRAULIC OPERATING DATA

BORE SIZE (in.)	WORKING PRESSURE (psi)	GALS TO OPEN RAMS (1 set)	GALS TO CLOSE RAMS (1 set)	OPENING RATIO	CLOSING RATIO	SHEARING RATION
7-1/16	3000 5000 10000 15000	2.40	3.70	4.2:1	10.4:1	17.3:1
11	3000 5000 10000	6.80	13.50	4.8:1	12.0:1	21.1:1
13-5/8	3000 5000 10000	10.50	17.90	4.5:1	10.8:1	17.8:1

INTEGRATED OEM API 16A MONOGRAMMED TYPE IU™ RAM BLOWOUT PREVENTER

IU™ BOP SIZE, PRESSURE, CONFIGURATION OPTIONS, SHEAR CAPABILITY AND PART NUMBER

7-1/16" – 5k, SINGLE (SR) RAM FORGED IU™ BOP

BOP Description	Part Number	Size (in.)	Pressure (psi)	Cavity	Non-Shear Or Shear	Top Connection	Bottom Connection	No. of Outlets	Outlet Connection	Outlet Size (in.)	Ring Grooves
7-1/16" – 5k, SR Ram Forged Non-Shear IU™ BOP (SxSxS)	95-01070520100	7-1/16	5,000	Single	Non-Shear	Studded	Studded	2	Studded	2-1/16 - 5k	625 Inconel
7-1/16" – 5k, SR Ram Forged Non-Shear IU™ BOP (SxFxS)	70-0705-00172	7-1/16	5,000	Single	Non-Shear	Studded	Flanged	2	Studded	2-1/16 - 5k	625 Inconel
7-1/16" – 5k, SR Ram Forged Non-Shear IU™ BOP (FxFxS)	70-0705-00178	7-1/16	5,000	Single	Non-Shear	Flanged	Studded	2	Studded	2-1/16 - 5k	625 Inconel
7-1/16" – 5k, SR Ram Forged Non-Shear IU™ BOP (FxFxS)	70-0705-00184	7-1/16	5,000	Single	Non-Shear	Flanged	Flanged	2	Studded	2-1/16 - 5k	625 Inconel
7-1/16" – 5k, SR Ram Forged Non-Shear IU™ BOP (SxSxS)	70-0705-00188	7-1/16	5,000	Single	Non-Shear	Studded	Studded	0	Studded	No Outlets	625 Inconel
7-1/16" – 5k, SR Ram Forged Non-Shear IU™ BOP (SxFxS)	70-0705-00173	7-1/16	5,000	Single	Non-Shear	Studded	Flanged	0	Studded	No Outlets	625 Inconel
7-1/16" – 5k, SR Ram Forged Non-Shear IU™ BOP (FxFxS)	70-0705-00179	7-1/16	5,000	Single	Non-Shear	Flanged	Studded	0	Studded	No Outlets	625 Inconel
7-1/16" – 5k, SR Ram Forged Non-Shear IU™ BOP (FxFxS)	70-0705-00185	7-1/16	5,000	Single	Non-Shear	Flanged	Flanged	0	Studded	No Outlets	625 Inconel
7-1/16" – 5k, SR Ram Forged Non-Shear IU™ BOP (SxSxF)	70-0705-00000	7-1/16	5,000	Single	Non-Shear	Studded	Studded	2	Flanged	2-1/16 - 5k	625 Inconel
7-1/16" – 5k, SR Ram Forged Non-Shear IU™ BOP (SxFxF)	70-0705-00174	7-1/16	5,000	Single	Non-Shear	Studded	Studded	2	Flanged	2-1/16 - 5k	625 Inconel
7-1/16" – 5k, SR Ram Forged Non-Shear IU™ BOP (FxFxF)	70-0705-00180	7-1/16	5,000	Single	Non-Shear	Flanged	Flanged	2	Flanged	2-1/16 - 5k	625 Inconel
7-1/16" – 5k, SR Ram Forged Non-Shear IU™ BOP (FxFxF)	70-0705-00011	7-1/16	5,000	Single	Non-Shear	Flanged	Flanged	2	Flanged	2-1/16 - 5k	625 Inconel
7-1/16" – 5k, SR Ram Forged Shear IU™ BOP (SxSxS)	70-0705-00016	7-1/16	5,000	Single	Shear	Studded	Studded	2	Studded	2-1/16 - 5k	625 Inconel
7-1/16" – 5k, SR Ram Forged Shear IU™ BOP (SxFxS)	70-0705-00175	7-1/16	5,000	Single	Shear	Studded	Flanged	2	Studded	2-1/16 - 5k	625 Inconel
7-1/16" – 5k, SR Ram Forged Shear IU™ BOP (FxFxS)	70-0705-00181	7-1/16	5,000	Single	Shear	Flanged	Studded	2	Studded	2-1/16 - 5k	625 Inconel
7-1/16" – 5k, SR Ram Forged Shear IU™ BOP (FxFxS)	70-0705-00186	7-1/16	5,000	Single	Shear	Flanged	Flanged	2	Studded	2-1/16 - 5k	625 Inconel
7-1/16" – 5k, SR Ram Forged Shear IU™ BOP (SxSxS)	70-0705-00189	7-1/16	5,000	Single	Shear	Studded	Studded	0	Studded	No Outlets	625 Inconel
7-1/16" – 5k, SR Ram Forged Shear IU™ BOP (SxFxS)	70-0705-00176	7-1/16	5,000	Single	Shear	Studded	Flanged	0	Studded	No Outlets	625 Inconel
7-1/16" – 5k, SR Ram Forged Shear IU™ BOP (FxFxS)	70-0705-00182	7-1/16	5,000	Single	Shear	Flanged	Studded	0	Studded	No Outlets	625 Inconel
7-1/16" – 5k, SR Ram Forged Shear IU™ BOP (FxFxS)	70-0705-00187	7-1/16	5,000	Single	Shear	Flanged	Flanged	0	Studded	No Outlets	625 Inconel
7-1/16" – 5k, SR Ram Forged Shear IU™ BOP (SxSxF)	70-0705-00190	7-1/16	5,000	Single	Shear	Studded	Studded	2	Flanged	2-1/16 - 5k	625 Inconel
7-1/16" – 5k, SR Ram Forged Shear IU™ BOP (SxFxF)	70-0705-00177	7-1/16	5,000	Single	Shear	Studded	Studded	2	Flanged	2-1/16 - 5k	625 Inconel
7-1/16" – 5k, SR Ram Forged Shear IU™ BOP (FxFxF)	70-0705-00183	7-1/16	5,000	Single	Shear	Flanged	Flanged	2	Flanged	2-1/16 - 5k	625 Inconel
7-1/16" – 5k, SR Ram Forged Shear IU™ BOP (FxFxF)	70-0705-00045	7-1/16	5,000	Single	Shear	Flanged	Flanged	2	Flanged	2-1/16 - 5k	625 Inconel

7-1/16" – 10k, SINGLE (SR) RAM FORGED IU™ BOP

BOP Description	Part Number	Size (in.)	Pressure (psi)	Cavity	Non-Shear Or Shear	Top Connection	Bottom Connection	No. of Outlets	Outlet Connection	Outlet Size (in.)	Ring Grooves
7-1/16" – 10k, SR Ram Forged Non-Shear IU™ BOP (SxSxS)	95-14071020100	7-1/16	10,000	Single	Non-Shear	Studded	Studded	2	Studded	2-1/16 - 10k	625 Inconel
7-1/16" – 10k, SR Ram Forged Non-Shear IU™ BOP (SxFxS)	70-0710-00002	7-1/16	10,000	Single	Non-Shear	Studded	Flanged	2	Studded	2-1/16 - 10k	625 Inconel
7-1/16" – 10k, SR Ram Forged Non-Shear IU™ BOP (FxFxS)	70-0710-00014	7-1/16	10,000	Single	Non-Shear	Flanged	Studded	2	Studded	2-1/16 - 10k	625 Inconel
7-1/16" – 10k, SR Ram Forged Non-Shear IU™ BOP (FxFxS)	70-0710-00003	7-1/16	10,000	Single	Non-Shear	Flanged	Flanged	2	Studded	2-1/16 - 10k	625 Inconel
7-1/16" – 10k, SR Ram Forged Non-Shear IU™ BOP (SxSxS)	70-0710-00017	7-1/16	10,000	Single	Non-Shear	Studded	Studded	0	Studded	No Outlets	625 Inconel
7-1/16" – 10k, SR Ram Forged Non-Shear IU™ BOP (SxFxS)	70-0710-00023	7-1/16	10,000	Single	Non-Shear	Studded	Flanged	0	Studded	No Outlets	625 Inconel
7-1/16" – 10k, SR Ram Forged Non-Shear IU™ BOP (FxFxS)	70-0710-00021	7-1/16	10,000	Single	Non-Shear	Flanged	Studded	0	Studded	No Outlets	625 Inconel
7-1/16" – 10k, SR Ram Forged Non-Shear IU™ BOP (FxFxS)	70-0710-00019	7-1/16	10,000	Single	Non-Shear	Flanged	Flanged	0	Studded	No Outlets	625 Inconel
7-1/16" – 10k, SR Ram Forged Non-Shear IU™ BOP (SxSxF)	70-0710-00039	7-1/16	10,000	Single	Non-Shear	Studded	Studded	2	Flanged	2-1/16 - 10k	625 Inconel
7-1/16" – 10k, SR Ram Forged Non-Shear IU™ BOP (SxFxF)	70-0710-00035	7-1/16	10,000	Single	Non-Shear	Studded	Studded	2	Flanged	2-1/16 - 10k	625 Inconel
7-1/16" – 10k, SR Ram Forged Non-Shear IU™ BOP (FxFxF)	70-0710-00031	7-1/16	10,000	Single	Non-Shear	Flanged	Flanged	2	Flanged	2-1/16 - 10k	625 Inconel
7-1/16" – 10k, SR Ram Forged Non-Shear IU™ BOP (FxFxF)	70-0710-00027	7-1/16	10,000	Single	Non-Shear	Flanged	Flanged	2	Flanged	2-1/16 - 10k	625 Inconel
7-1/16" – 10k, SR Ram Forged Shear IU™ BOP (SxSxS)	70-0710-00070	7-1/16	10,000	Single	Shear	Studded	Studded	2	Studded	2-1/16 - 10k	625 Inconel
7-1/16" – 10k, SR Ram Forged Shear IU™ BOP (SxFxS)	70-0710-00078	7-1/16	10,000	Single	Shear	Studded	Flanged	2	Studded	2-1/16 - 10k	625 Inconel
7-1/16" – 10k, SR Ram Forged Shear IU™ BOP (FxFxS)	70-0710-00081	7-1/16	10,000	Single	Shear	Flanged	Studded	2	Studded	2-1/16 - 10k	625 Inconel
7-1/16" – 10k, SR Ram Forged Shear IU™ BOP (FxFxS)	70-0710-00084	7-1/16	10,000	Single	Shear	Flanged	Flanged	2	Studded	2-1/16 - 10k	625 Inconel
7-1/16" – 10k, SR Ram Forged Shear IU™ BOP (SxSxS)	70-0710-00076	7-1/16	10,000	Single	Shear	Studded	Studded	0	Studded	No Outlets	625 Inconel
7-1/16" – 10k, SR Ram Forged Shear IU™ BOP (SxFxS)	70-0710-00079	7-1/16	10,000	Single	Shear	Studded	Flanged	0	Studded	No Outlets	625 Inconel
7-1/16" – 10k, SR Ram Forged Shear IU™ BOP (FxFxS)	70-0710-00082	7-1/16	10,000	Single	Shear	Flanged	Studded	0	Studded	No Outlets	625 Inconel
7-1/16" – 10k, SR Ram Forged Shear IU™ BOP (FxFxS)	70-0710-00085	7-1/16	10,000	Single	Shear	Flanged	Flanged	0	Studded	No Outlets	625 Inconel
7-1/16" – 10k, SR Ram Forged Shear IU™ BOP (SxSxF)	70-0710-00077	7-1/16	10,000	Single	Shear	Studded	Studded	2	Flanged	2-1/16 - 10k	625 Inconel
7-1/16" – 10k, SR Ram Forged Shear IU™ BOP (SxFxF)	70-0710-00080	7-1/16	10,000	Single	Shear	Studded	Studded	2	Flanged	2-1/16 - 10k	625 Inconel
7-1/16" – 10k, SR Ram Forged Shear IU™ BOP (FxFxF)	70-0710-00083	7-1/16	10,000	Single	Shear	Flanged	Flanged	2	Flanged	2-1/16 - 10k	625 Inconel
7-1/16" – 10k, SR Ram Forged Shear IU™ BOP (FxFxF)	70-0710-00068	7-1/16	10,000	Single	Shear	Flanged	Flanged	2	Flanged	2-1/16 - 10k	625 Inconel

Note: For all IU™ Non-Shear BOPs, those BOPs can become "Shear Capable" by installing a Large Bore Shear Assembly (LBSA). The LBSA consist of; Large Bore Shear Bonnets, Intermediates, Pistons, Large Bore Bonnet Bolts and Tandem Boosters.

Additional outlet sizes and pressure connections rating are available upon request.

INTEGRATED OEM API 16A MONOGRAMMED TYPE IU™ RAM BLOWOUT PREVENTER

7-1/16" – 5k, DOUBLE (DR) RAM FORGED IU™ BOP

BOP Description	Part Number	Size (in.)	Pressure (psi)	Cavity	Non-Shear Or Shear	Top Connection	Bottom Connection	No. of Outlets	Outlet Connection	Outlet Size (in.)	Ring Grooves
7-1/16" – 5k, DR Ram Forged Non-Shear IU™ BOP (SxSxS)	95-02070520100	7-1/16	5,000	Double	Non-Shear	Studded	Studded	4	Studded	2-1/16 - 5k	625 Inconel
7-1/16" – 5k, DR Ram Forged Non-Shear IU™ BOP (SxFxS)	70-0705-00193	7-1/16	5,000	Double	Non-Shear	Studded	Flanged	4	Studded	2-1/16 - 5k	625 Inconel
7-1/16" – 5k, DR Ram Forged Non-Shear IU™ BOP (FxFxS)	70-0705-00199	7-1/16	5,000	Double	Non-Shear	Flanged	Studded	4	Studded	2-1/16 - 5k	625 Inconel
7-1/16" – 5k, DR Ram Forged Non-Shear IU™ BOP (FxFxS)	70-0705-00007	7-1/16	5,000	Double	Non-Shear	Flanged	Flanged	4	Studded	2-1/16 - 5k	625 Inconel
7-1/16" – 5k, DR Ram Forged Non-Shear IU™ BOP (SxSxS)	70-0705-00191	7-1/16	5,000	Double	Non-Shear	Studded	Studded	0	Studded	No Outlets	625 Inconel
7-1/16" – 5k, DR Ram Forged Non-Shear IU™ BOP (SxFxS)	70-0705-00194	7-1/16	5,000	Double	Non-Shear	Studded	Flanged	0	Studded	No Outlets	625 Inconel
7-1/16" – 5k, DR Ram Forged Non-Shear IU™ BOP (FxFxS)	70-0705-00200	7-1/16	5,000	Double	Non-Shear	Flanged	Studded	0	Studded	No Outlets	625 Inconel
7-1/16" – 5k, DR Ram Forged Non-Shear IU™ BOP (FxFxS)	70-0705-00205	7-1/16	5,000	Double	Non-Shear	Flanged	Flanged	0	Studded	No Outlets	625 Inconel
7-1/16" – 5k, DR Ram Forged Non-Shear IU™ BOP (SxSxF)	70-0705-00001	7-1/16	5,000	Double	Non-Shear	Studded	Studded	4	Flanged	2-1/16 - 5k	625 Inconel
7-1/16" – 5k, DR Ram Forged Non-Shear IU™ BOP (SxFxF)	70-0705-00002	7-1/16	5,000	Double	Non-Shear	Studded	Studded	4	Flanged	2-1/16 - 5k	625 Inconel
7-1/16" – 5k, DR Ram Forged Non-Shear IU™ BOP (FxFxF)	70-0705-00201	7-1/16	5,000	Double	Non-Shear	Flanged	Flanged	4	Flanged	2-1/16 - 5k	625 Inconel
7-1/16" – 5k, DR Ram Forged Non-Shear IU™ BOP (FxFxF)	70-0705-00076	7-1/16	5,000	Double	Non-Shear	Flanged	Flanged	4	Flanged	2-1/16 - 5k	625 Inconel
7-1/16" – 5k, DR Ram Forged Shear IU™ BOP (SxSxS)	95-02070520380	7-1/16	5,000	Double	Shear	Studded	Studded	4	Studded	2-1/16 - 5k	625 Inconel
7-1/16" – 5k, DR Ram Forged Shear IU™ BOP (SxFxS)	70-0705-00196	7-1/16	5,000	Double	Shear	Studded	Flanged	4	Studded	2-1/16 - 5k	625 Inconel
7-1/16" – 5k, DR Ram Forged Shear IU™ BOP (FxFxS)	70-0705-00202	7-1/16	5,000	Double	Shear	Flanged	Studded	4	Studded	2-1/16 - 5k	625 Inconel
7-1/16" – 5k, DR Ram Forged Shear IU™ BOP (FxFxS)	70-0705-00206	7-1/16	5,000	Double	Shear	Flanged	Flanged	4	Studded	2-1/16 - 5k	625 Inconel
7-1/16" – 5k, DR Ram Forged Shear IU™ BOP (SxSxS)	70-0705-00192	7-1/16	5,000	Double	Shear	Studded	Studded	0	Studded	No Outlets	625 Inconel
7-1/16" – 5k, DR Ram Forged Shear IU™ BOP (SxFxS)	70-0705-00197	7-1/16	5,000	Double	Shear	Studded	Flanged	0	Studded	No Outlets	625 Inconel
7-1/16" – 5k, DR Ram Forged Shear IU™ BOP (FxFxS)	70-0705-00203	7-1/16	5,000	Double	Shear	Flanged	Studded	0	Studded	No Outlets	625 Inconel
7-1/16" – 5k, DR Ram Forged Shear IU™ BOP (FxFxS)	70-0705-00207	7-1/16	5,000	Double	Shear	Flanged	Flanged	0	Studded	No Outlets	625 Inconel
7-1/16" – 5k, DR Ram Forged Shear IU™ BOP (SxSxF)	70-0705-00024	7-1/16	5,000	Double	Shear	Studded	Studded	4	Flanged	2-1/16 - 5k	625 Inconel
7-1/16" – 5k, DR Ram Forged Shear IU™ BOP (SxFxF)	70-0705-00198	7-1/16	5,000	Double	Shear	Studded	Studded	4	Flanged	2-1/16 - 5k	625 Inconel
7-1/16" – 5k, DR Ram Forged Shear IU™ BOP (FxFxF)	70-0705-00204	7-1/16	5,000	Double	Shear	Flanged	Flanged	4	Flanged	2-1/16 - 5k	625 Inconel
7-1/16" – 5k, DR Ram Forged Shear IU™ BOP (FxFxF)	70-0705-00149	7-1/16	5,000	Double	Shear	Flanged	Flanged	4	Flanged	2-1/16 - 5k	625 Inconel

7-1/16" – 10k, DOUBLE (DR) RAM FORGED IU™ BOP

BOP Description	Part Number	Size (in.)	Pressure (psi)	Cavity	Non-Shear Or Shear	Top Connection	Bottom Connection	No. of Outlets	Outlet Connection	Outlet Size (in.)	Ring Grooves
7-1/16" – 10k, DR Ram Forged Non-Shear IU™ BOP (SxSxS)	95-15071020100	7-1/16	10,000	Double	Non-Shear	Studded	Studded	4	Studded	2-1/16 - 10k	625 Inconel
7-1/16" – 10k, DR Ram Forged Non-Shear IU™ BOP (SxFxS)	70-0710-00000	7-1/16	10,000	Double	Non-Shear	Studded	Flanged	4	Studded	2-1/16 - 10k	625 Inconel
7-1/16" – 10k, DR Ram Forged Non-Shear IU™ BOP (FxFxS)	70-0710-00048	7-1/16	10,000	Double	Non-Shear	Flanged	Studded	4	Studded	2-1/16 - 10k	625 Inconel
7-1/16" – 10k, DR Ram Forged Non-Shear IU™ BOP (FxFxS)	70-0710-00001	7-1/16	10,000	Double	Non-Shear	Flanged	Flanged	4	Studded	2-1/16 - 10k	625 Inconel
7-1/16" – 10k, DR Ram Forged Non-Shear IU™ BOP (SxSxS)	70-0710-00062	7-1/16	10,000	Double	Non-Shear	Studded	Studded	0	Studded	No Outlets	625 Inconel
7-1/16" – 10k, DR Ram Forged Non-Shear IU™ BOP (SxFxS)	70-0710-00056	7-1/16	10,000	Double	Non-Shear	Studded	Flanged	0	Studded	No Outlets	625 Inconel
7-1/16" – 10k, DR Ram Forged Non-Shear IU™ BOP (FxFxS)	70-0710-00050	7-1/16	10,000	Double	Non-Shear	Flanged	Studded	0	Studded	No Outlets	625 Inconel
7-1/16" – 10k, DR Ram Forged Non-Shear IU™ BOP (FxFxS)	70-0710-00041	7-1/16	10,000	Double	Non-Shear	Flanged	Flanged	0	Studded	No Outlets	625 Inconel
7-1/16" – 10k, DR Ram Forged Non-Shear IU™ BOP (SxSxF)	70-0710-00066	7-1/16	10,000	Double	Non-Shear	Studded	Studded	4	Flanged	2-1/16 - 10k	625 Inconel
7-1/16" – 10k, DR Ram Forged Non-Shear IU™ BOP (SxFxF)	70-0710-00060	7-1/16	10,000	Double	Non-Shear	Studded	Studded	4	Flanged	2-1/16 - 10k	625 Inconel
7-1/16" – 10k, DR Ram Forged Non-Shear IU™ BOP (FxFxF)	70-0710-00054	7-1/16	10,000	Double	Non-Shear	Flanged	Flanged	4	Flanged	2-1/16 - 10k	625 Inconel
7-1/16" – 10k, DR Ram Forged Non-Shear IU™ BOP (FxFxF)	70-0710-00045	7-1/16	10,000	Double	Non-Shear	Flanged	Flanged	4	Flanged	2-1/16 - 10k	625 Inconel
7-1/16" – 10k, DR Ram Forged Shear IU™ BOP (SxSxS)	70-0710-00069	7-1/16	10,000	Double	Shear	Studded	Studded	4	Studded	2-1/16 - 10k	625 Inconel
7-1/16" – 10k, DR Ram Forged Shear IU™ BOP (SxFxS)	70-0710-00087	7-1/16	10,000	Double	Shear	Studded	Flanged	4	Studded	2-1/16 - 10k	625 Inconel
7-1/16" – 10k, DR Ram Forged Shear IU™ BOP (FxFxS)	70-0710-00090	7-1/16	10,000	Double	Shear	Flanged	Studded	4	Studded	2-1/16 - 10k	625 Inconel
7-1/16" – 10k, DR Ram Forged Shear IU™ BOP (FxFxS)	70-0710-00093	7-1/16	10,000	Double	Shear	Flanged	Flanged	4	Studded	2-1/16 - 10k	625 Inconel
7-1/16" – 10k, DR Ram Forged Shear IU™ BOP (SxSxS)	70-0710-00086	7-1/16	10,000	Double	Shear	Studded	Studded	0	Studded	No Outlets	625 Inconel
7-1/16" – 10k, DR Ram Forged Shear IU™ BOP (SxFxS)	70-0710-00088	7-1/16	10,000	Double	Shear	Studded	Flanged	0	Studded	No Outlets	625 Inconel
7-1/16" – 10k, DR Ram Forged Shear IU™ BOP (FxFxS)	70-0710-00091	7-1/16	10,000	Double	Shear	Flanged	Studded	0	Studded	No Outlets	625 Inconel
7-1/16" – 10k, DR Ram Forged Shear IU™ BOP (FxFxS)	70-0710-00094	7-1/16	10,000	Double	Shear	Flanged	Flanged	0	Studded	No Outlets	625 Inconel
7-1/16" – 10k, DR Ram Forged Shear IU™ BOP (SxSxF)	95-15071020800	7-1/16	10,000	Double	Shear	Studded	Studded	4	Flanged	2-1/16 - 10k	625 Inconel
7-1/16" – 10k, DR Ram Forged Shear IU™ BOP (SxFxF)	70-0710-00089	7-1/16	10,000	Double	Shear	Studded	Studded	4	Flanged	2-1/16 - 10k	625 Inconel
7-1/16" – 10k, DR Ram Forged Shear IU™ BOP (FxFxF)	70-0710-00092	7-1/16	10,000	Double	Shear	Flanged	Flanged	4	Flanged	2-1/16 - 10k	625 Inconel
7-1/16" – 10k, DR Ram Forged Shear IU™ BOP (FxFxF)	70-0710-00067	7-1/16	10,000	Double	Shear	Flanged	Flanged	4	Flanged	2-1/16 - 10k	625 Inconel

Note: For all IU™ Non-Shear BOPs, those BOPs can become "Shear Capable" by installing a Large Bore Shear Assembly (LBSA). The LBSA consist of; Large Bore Shear Bonnets, Intermediates, Pistons, Large Bore Bonnet Bolts and Tandem Boosters.

Additional outlet sizes and pressure connections rating are available upon request.

INTEGRATED OEM API 16A MONOGRAMMED TYPE IU™ RAM BLOWOUT PREVENTER

11" – 5k, SINGLE (SR) RAM FORGED IU™ BOP

BOP Description	Part Number	Size (in.)	Pressure (psi)	Cavity	Non-Shear Or Shear	Top Connection	Bottom Connection	No. of Outlets	Outlet Connection	Outlet Size (in.)	Ring Grooves
11" – 5K, SR Ram Forged Non-Shear IU™ BOP (SxSxS)	95-01110520100	11	5,000	Single	Non-Shear	Studded	Studded	2	Studded	3-1/8" – 5k	625 Inconel
11" – 5K, SR Ram Forged Non-Shear IU™ BOP (SxFxS)	70-1105-00032	11	5,000	Single	Non-Shear	Studded	Flanged	2	Studded	3-1/8" – 5k	625 Inconel
11" – 5K, SR Ram Forged Non-Shear IU™ BOP (FxFxS)	70-1105-00038	11	5,000	Single	Non-Shear	Flanged	Studded	2	Studded	3-1/8" – 5k	625 Inconel
11" – 5K, SR Ram Forged Non-Shear IU™ BOP (FxFxS)	70-1105-00044	11	5,000	Single	Non-Shear	Flanged	Flanged	2	Studded	3-1/8" – 5k	625 Inconel
11" – 5K, SR Ram Forged Non-Shear IU™ BOP (SxSxS)	70-1105-00027	11	5,000	Single	Non-Shear	Studded	Studded	0	Studded	No Outlets	625 Inconel
11" – 5K, SR Ram Forged Non-Shear IU™ BOP (SxFxS)	70-1105-00033	11	5,000	Single	Non-Shear	Studded	Flanged	0	Studded	No Outlets	625 Inconel
11" – 5K, SR Ram Forged Non-Shear IU™ BOP (FxFxS)	70-1105-00039	11	5,000	Single	Non-Shear	Flanged	Studded	0	Studded	No Outlets	625 Inconel
11" – 5K, SR Ram Forged Non-Shear IU™ BOP (FxFxS)	70-1105-00045	11	5,000	Single	Non-Shear	Flanged	Flanged	0	Studded	No Outlets	625 Inconel
11" – 5K, SR Ram Forged Non-Shear IU™ BOP (SxSxF)	70-1105-00028	11	5,000	Single	Non-Shear	Studded	Studded	2	Flanged	3-1/8" – 5k	625 Inconel
11" – 5K, SR Ram Forged Non-Shear IU™ BOP (SxFxF)	70-1105-00034	11	5,000	Single	Non-Shear	Studded	Studded	2	Flanged	3-1/8" – 5k	625 Inconel
11" – 5K, SR Ram Forged Non-Shear IU™ BOP (FxFxF)	70-1105-00040	11	5,000	Single	Non-Shear	Flanged	Flanged	2	Flanged	3-1/8" – 5k	625 Inconel
11" – 5K, SR Ram Forged Non-Shear IU™ BOP (FxFxF)	70-1105-00002	11	5,000	Single	Non-Shear	Flanged	Flanged	2	Flanged	3-1/8" – 5k	625 Inconel
11" – 5K, SR Ram Forged Shear IU™ BOP (SxSxS)	70-1105-00029	11	5,000	Single	Shear	Studded	Studded	2	Studded	3-1/8" – 5k	625 Inconel
11" – 5K, SR Ram Forged Shear IU™ BOP (SxFxS)	70-1105-00035	11	5,000	Single	Shear	Studded	Flanged	2	Studded	3-1/8" – 5k	625 Inconel
11" – 5K, SR Ram Forged Shear IU™ BOP (FxFxS)	70-1105-00041	11	5,000	Single	Shear	Flanged	Studded	2	Studded	3-1/8" – 5k	625 Inconel
11" – 5K, SR Ram Forged Shear IU™ BOP (FxFxS)	70-1105-00046	11	5,000	Single	Shear	Flanged	Flanged	2	Studded	3-1/8" – 5k	625 Inconel
11" – 5K, SR Ram Forged Shear IU™ BOP (SxSxS)	70-1105-00030	11	5,000	Single	Shear	Studded	Studded	0	Studded	No Outlets	625 Inconel
11" – 5K, SR Ram Forged Shear IU™ BOP (SxFxS)	70-1105-00036	11	5,000	Single	Shear	Studded	Flanged	0	Studded	No Outlets	625 Inconel
11" – 5K, SR Ram Forged Shear IU™ BOP (FxFxS)	70-1105-00042	11	5,000	Single	Shear	Flanged	Studded	0	Studded	No Outlets	625 Inconel
11" – 5K, SR Ram Forged Shear IU™ BOP (FxFxS)	70-1105-00047	11	5,000	Single	Shear	Flanged	Flanged	0	Studded	No Outlets	625 Inconel
11" – 5K, SR Ram Forged Shear IU™ BOP (SxSxF)	70-1105-00031	11	5,000	Single	Shear	Studded	Studded	2	Flanged	3-1/8" – 5k	625 Inconel
11" – 5K, SR Ram Forged Shear IU™ BOP (SxFxF)	70-1105-00037	11	5,000	Single	Shear	Studded	Studded	2	Flanged	3-1/8" – 5k	625 Inconel
11" – 5K, SR Ram Forged Shear IU™ BOP (FxFxF)	70-1105-00043	11	5,000	Single	Shear	Flanged	Flanged	2	Flanged	3-1/8" – 5k	625 Inconel
11" – 5K, SR Ram Forged Shear IU™ BOP (FxFxF)	70-1105-00014	11	5,000	Single	Shear	Flanged	Flanged	2	Flanged	3-1/8" – 5k	625 Inconel

11" – 10k, SINGLE (SR) RAM FORGED IU™ BOP

BOP Description	Part Number	Size (in.)	Pressure (psi)	Cavity	Non-Shear Or Shear	Top Connection	Bottom Connection	No. of Outlets	Outlet Connection	Outlet Size (in.)	Ring Grooves
11" – 10K, SR Ram Forged Non-Shear IU™ BOP (SxSxS)	70-1110-00018	11	10,000	Single	Non-Shear	Studded	Studded	2	Studded	3-1/16" – 10k	625 Inconel
11" – 10K, SR Ram Forged Non-Shear IU™ BOP (SxFxS)	70-1110-00024	11	10,000	Single	Non-Shear	Studded	Flanged	2	Studded	3-1/16" – 10k	625 Inconel
11" – 10K, SR Ram Forged Non-Shear IU™ BOP (FxFxS)	70-1110-00030	11	10,000	Single	Non-Shear	Flanged	Studded	2	Studded	3-1/16" – 10k	625 Inconel
11" – 10K, SR Ram Forged Non-Shear IU™ BOP (FxFxS)	70-1110-00036	11	10,000	Single	Non-Shear	Flanged	Flanged	2	Studded	3-1/16" – 10k	625 Inconel
11" – 10K, SR Ram Forged Non-Shear IU™ BOP (SxSxS)	70-1110-00019	11	10,000	Single	Non-Shear	Studded	Studded	0	Studded	No Outlets	625 Inconel
11" – 10K, SR Ram Forged Non-Shear IU™ BOP (SxFxS)	70-1110-00025	11	10,000	Single	Non-Shear	Studded	Flanged	0	Studded	No Outlets	625 Inconel
11" – 10K, SR Ram Forged Non-Shear IU™ BOP (FxFxS)	70-1110-00031	11	10,000	Single	Non-Shear	Flanged	Studded	0	Studded	No Outlets	625 Inconel
11" – 10K, SR Ram Forged Non-Shear IU™ BOP (FxFxS)	70-1110-00037	11	10,000	Single	Non-Shear	Flanged	Flanged	0	Studded	No Outlets	625 Inconel
11" – 10K, SR Ram Forged Non-Shear IU™ BOP (SxSxF)	70-1110-00020	11	10,000	Single	Non-Shear	Studded	Studded	2	Flanged	3-1/16" – 10k	625 Inconel
11" – 10K, SR Ram Forged Non-Shear IU™ BOP (SxFxF)	70-1110-00026	11	10,000	Single	Non-Shear	Studded	Studded	2	Flanged	3-1/16" – 10k	625 Inconel
11" – 10K, SR Ram Forged Non-Shear IU™ BOP (FxFxF)	70-1110-00032	11	10,000	Single	Non-Shear	Flanged	Flanged	2	Flanged	3-1/16" – 10k	625 Inconel
11" – 10K, SR Ram Forged Non-Shear IU™ BOP (FxFxF)	70-1110-00002	11	10,000	Single	Non-Shear	Flanged	Flanged	2	Flanged	3-1/16" – 10k	625 Inconel
11" – 10K, SR Ram Forged Shear IU™ BOP (SxSxS)	70-1110-00021	11	10,000	Single	Shear	Studded	Studded	2	Studded	3-1/16" – 10k	625 Inconel
11" – 10K, SR Ram Forged Shear IU™ BOP (SxFxS)	70-1110-00027	11	10,000	Single	Shear	Studded	Flanged	2	Studded	3-1/16" – 10k	625 Inconel
11" – 10K, SR Ram Forged Shear IU™ BOP (FxFxS)	70-1110-00033	11	10,000	Single	Shear	Flanged	Studded	2	Studded	3-1/16" – 10k	625 Inconel
11" – 10K, SR Ram Forged Shear IU™ BOP (FxFxS)	70-1110-00038	11	10,000	Single	Shear	Flanged	Flanged	2	Studded	3-1/16" – 10k	625 Inconel
11" – 10K, SR Ram Forged Shear IU™ BOP (SxSxS)	70-1110-00022	11	10,000	Single	Shear	Studded	Studded	0	Studded	No Outlets	625 Inconel
11" – 10K, SR Ram Forged Shear IU™ BOP (SxFxS)	70-1110-00028	11	10,000	Single	Shear	Studded	Flanged	0	Studded	No Outlets	625 Inconel
11" – 10K, SR Ram Forged Shear IU™ BOP (FxFxS)	70-1110-00034	11	10,000	Single	Shear	Flanged	Studded	0	Studded	No Outlets	625 Inconel
11" – 10K, SR Ram Forged Shear IU™ BOP (FxFxS)	70-1110-00039	11	10,000	Single	Shear	Flanged	Flanged	0	Studded	No Outlets	625 Inconel
11" – 10K, SR Ram Forged Shear IU™ BOP (SxSxF)	70-1110-00023	11	10,000	Single	Shear	Studded	Studded	2	Flanged	3-1/16" – 10k	625 Inconel
11" – 10K, SR Ram Forged Shear IU™ BOP (SxFxF)	70-1110-00029	11	10,000	Single	Shear	Studded	Studded	2	Flanged	3-1/16" – 10k	625 Inconel
11" – 10K, SR Ram Forged Shear IU™ BOP (FxFxF)	70-1110-00035	11	10,000	Single	Shear	Flanged	Flanged	2	Flanged	3-1/16" – 10k	625 Inconel
11" – 10K, SR Ram Forged Shear IU™ BOP (FxFxF)	70-1110-00009	11	10,000	Single	Shear	Flanged	Flanged	2	Flanged	3-1/16" – 10k	625 Inconel

Note: For all IU™ Non-Shear BOPs, those BOPs can become "Shear Capable" by installing a Large Bore Shear Assembly (LBSA). The LBSA consist of; Large Bore Shear Bonnets, Intermediates, Pistons, Large Bore Bonnet Bolts and Tandem Boosters.

Additional outlet sizes and pressure connections rating are available upon request.

**INTEGRATED OEM API 16A MONOGRAMMED
TYPE IU™ RAM BLOWOUT PREVENTER**
11" – 5k, DOUBLE (DR) RAM FORGED IU™ BOP

BOP Description	Part Number	Size (in.)	Pressure (psi)	Cavity	Non-Shear Or Shear	Top Connection	Bottom Connection	No. of Outlets	Outlet Connection	Outlet Size (in.)	Ring Grooves
11" – 5K, DR Ram Forged Non-Shear IU™ BOP (SxSxS)	95-02110520100	11	5,000	Double	Non-Shear	Studded	Studded	4	Studded	3-1/8" – 5k	625 Inconel
11" – 5K, DR Ram Forged Non-Shear IU™ BOP (SxFxS)	70-1105-00053	11	5,000	Double	Non-Shear	Studded	Flanged	4	Studded	3-1/8" – 5k	625 Inconel
11" – 5K, DR Ram Forged Non-Shear IU™ BOP (FxFxS)	70-1105-00059	11	5,000	Double	Non-Shear	Flanged	Studded	4	Studded	3-1/8" – 5k	625 Inconel
11" – 5K, DR Ram Forged Non-Shear IU™ BOP (FxFxS)	70-1105-00019	11	5,000	Double	Non-Shear	Flanged	Flanged	4	Studded	3-1/8" – 5k	625 Inconel
11" – 5K, DR Ram Forged Non-Shear IU™ BOP (SxSxS)	70-1105-00048	11	5,000	Double	Non-Shear	Studded	Studded	0	Studded	No Outlets	625 Inconel
11" – 5K, DR Ram Forged Non-Shear IU™ BOP (SxFxS)	70-1105-00054	11	5,000	Single	Non-Shear	Studded	Flanged	0	Studded	No Outlets	625 Inconel
11" – 5K, DR Ram Forged Non-Shear IU™ BOP (FxFxS)	70-1105-00060	11	5,000	Single	Non-Shear	Flanged	Studded	0	Studded	No Outlets	625 Inconel
11" – 5K, DR Ram Forged Non-Shear IU™ BOP (FxFxS)	70-1105-00065	11	5,000	Single	Non-Shear	Flanged	Flanged	0	Studded	No Outlets	625 Inconel
11" – 5K, DR Ram Forged Non-Shear IU™ BOP (SxSxF)	70-1105-00049	11	5,000	Double	Non-Shear	Studded	Studded	4	Flanged	3-1/8" – 5k	625 Inconel
11" – 5K, DR Ram Forged Non-Shear IU™ BOP (SxFxF)	70-1105-00055	11	5,000	Double	Non-Shear	Studded	Studded	4	Flanged	3-1/8" – 5k	625 Inconel
11" – 5K, DR Ram Forged Non-Shear IU™ BOP (FxFxF)	70-1105-00061	11	5,000	Double	Non-Shear	Flanged	Flanged	4	Flanged	3-1/8" – 5k	625 Inconel
11" – 5K, DR Ram Forged Non-Shear IU™ BOP (FxFxF)	70-1105-00066	11	5,000	Double	Non-Shear	Flanged	Flanged	4	Flanged	3-1/8" – 5k	625 Inconel
11" – 5K, DR Ram Forged Shear IU™ BOP (SxSxS)	70-1105-00050	11	5,000	Double	Shear	Studded	Studded	4	Studded	3-1/8" – 5k	625 Inconel
11" – 5K, DR Ram Forged Shear IU™ BOP (SxFxS)	70-1105-00056	11	5,000	Double	Shear	Studded	Flanged	4	Studded	3-1/8" – 5k	625 Inconel
11" – 5K, DR Ram Forged Shear IU™ BOP (FxFxS)	70-1105-00062	11	5,000	Double	Shear	Flanged	Studded	4	Studded	3-1/8" – 5k	625 Inconel
11" – 5K, DR Ram Forged Shear IU™ BOP (FxFxS)	70-1105-00067	11	5,000	Double	Shear	Flanged	Flanged	4	Studded	3-1/8" – 5k	625 Inconel
11" – 5K, DR Ram Forged Shear IU™ BOP (SxSxS)	70-1105-00051	11	5,000	Double	Shear	Studded	Studded	0	Studded	No Outlets	625 Inconel
11" – 5K, DR Ram Forged Shear IU™ BOP (SxFxS)	70-1105-00057	11	5,000	Double	Shear	Studded	Flanged	0	Studded	No Outlets	625 Inconel
11" – 5K, DR Ram Forged Shear IU™ BOP (FxFxS)	70-1105-00063	11	5,000	Double	Shear	Flanged	Studded	0	Studded	No Outlets	625 Inconel
11" – 5K, DR Ram Forged Shear IU™ BOP (FxFxS)	70-1105-00068	11	5,000	Double	Shear	Flanged	Flanged	0	Studded	No Outlets	625 Inconel
11" – 5K, DR Ram Forged Shear IU™ BOP (SxSxF)	70-1105-00052	11	5,000	Double	Shear	Studded	Studded	4	Flanged	3-1/8" – 5k	625 Inconel
11" – 5K, DR Ram Forged Shear IU™ BOP (SxFxF)	70-1105-00058	11	5,000	Double	Shear	Studded	Studded	4	Flanged	3-1/8" – 5k	625 Inconel
11" – 5K, DR Ram Forged Shear IU™ BOP (FxFxF)	70-1105-00064	11	5,000	Double	Shear	Flanged	Flanged	4	Flanged	3-1/8" – 5k	625 Inconel
11" – 5K, DR Ram Forged Shear IU™ BOP (FxFxF)	70-1105-00003	11	5,000	Double	Shear	Flanged	Flanged	4	Flanged	3-1/8" – 5k	625 Inconel

11" – 10k, DOUBLE (DR) RAM FORGED IU™ BOP

BOP Description	Part Number	Size (in.)	Pressure (psi)	Cavity	Non-Shear Or Shear	Top Connection	Bottom Connection	No. of Outlets	Outlet Connection	Outlet Size (in.)	Ring Grooves
11" – 10k, DR Ram Forged Non-Shear IU™ BOP (SxSxS)	70-1110-00040	11	10,000	Double	Non-Shear	Studded	Studded	4	Studded	3-1/16" – 10k	625 Inconel
11" – 10k, DR Ram Forged Non-Shear IU™ BOP (SxFxS)	70-1110-00046	11	10,000	Double	Non-Shear	Studded	Flanged	4	Studded	3-1/16" – 10k	625 Inconel
11" – 10k, DR Ram Forged Non-Shear IU™ BOP (FxFxS)	70-1110-00052	11	10,000	Double	Non-Shear	Flanged	Studded	4	Studded	3-1/16" – 10k	625 Inconel
11" – 10k, DR Ram Forged Non-Shear IU™ BOP (FxFxS)	70-1110-00058	11	10,000	Double	Non-Shear	Flanged	Flanged	4	Studded	3-1/16" – 10k	625 Inconel
11" – 10k, DR Ram Forged Non-Shear IU™ BOP (SxSxS)	70-1110-00041	11	10,000	Double	Non-Shear	Studded	Studded	0	Studded	No Outlets	625 Inconel
11" – 10k, DR Ram Forged Non-Shear IU™ BOP (SxFxS)	70-1110-00047	11	10,000	Double	Non-Shear	Studded	Flanged	0	Studded	No Outlets	625 Inconel
11" – 10k, DR Ram Forged Non-Shear IU™ BOP (FxFxS)	70-1110-00053	11	10,000	Double	Non-Shear	Flanged	Studded	0	Studded	No Outlets	625 Inconel
11" – 10k, DR Ram Forged Non-Shear IU™ BOP (FxFxS)	70-1110-00059	11	10,000	Double	Non-Shear	Flanged	Flanged	0	Studded	No Outlets	625 Inconel
11" – 10k, DR Ram Forged Non-Shear IU™ BOP (SxSxF)	70-1110-00042	11	10,000	Double	Non-Shear	Studded	Studded	4	Flanged	3-1/16" – 10k	625 Inconel
11" – 10k, DR Ram Forged Non-Shear IU™ BOP (SxFxF)	70-1110-00048	11	10,000	Double	Non-Shear	Studded	Studded	4	Flanged	3-1/16" – 10k	625 Inconel
11" – 10k, DR Ram Forged Non-Shear IU™ BOP (FxFxF)	70-1110-00054	11	10,000	Double	Non-Shear	Flanged	Flanged	4	Flanged	3-1/16" – 10k	625 Inconel
11" – 10k, DR Ram Forged Non-Shear IU™ BOP (FxFxF)	70-1110-00003	11	10,000	Double	Non-Shear	Flanged	Flanged	4	Flanged	3-1/16" – 10k	625 Inconel
11" – 10k, DR Ram Forged Shear IU™ BOP (SxSxS)	70-1110-00043	11	10,000	Double	Shear	Studded	Studded	4	Studded	3-1/16" – 10k	625 Inconel
11" – 10k, DR Ram Forged Shear IU™ BOP (SxFxS)	70-1110-00049	11	10,000	Double	Shear	Studded	Flanged	4	Studded	3-1/16" – 10k	625 Inconel
11" – 10k, DR Ram Forged Shear IU™ BOP (FxFxS)	70-1110-00055	11	10,000	Double	Shear	Flanged	Studded	4	Studded	3-1/16" – 10k	625 Inconel
11" – 10k, DR Ram Forged Shear IU™ BOP (FxFxS)	70-1110-00060	11	10,000	Double	Shear	Flanged	Flanged	4	Studded	3-1/16" – 10k	625 Inconel
11" – 10k, DR Ram Forged Shear IU™ BOP (SxSxS)	70-1110-00044	11	10,000	Double	Shear	Studded	Studded	0	Studded	No Outlets	625 Inconel
11" – 10k, DR Ram Forged Shear IU™ BOP (SxFxS)	70-1110-00050	11	10,000	Double	Shear	Studded	Flanged	0	Studded	No Outlets	625 Inconel
11" – 10k, DR Ram Forged Shear IU™ BOP (FxFxS)	70-1110-00056	11	10,000	Double	Shear	Flanged	Studded	0	Studded	No Outlets	625 Inconel
11" – 10k, DR Ram Forged Shear IU™ BOP (FxFxS)	70-1110-00061	11	10,000	Double	Shear	Flanged	Flanged	0	Studded	No Outlets	625 Inconel
11" – 10k, DR Ram Forged Shear IU™ BOP (SxSxF)	70-1110-00045	11	10,000	Double	Shear	Studded	Studded	4	Flanged	3-1/16" – 10k	625 Inconel
11" – 10k, DR Ram Forged Shear IU™ BOP (SxFxF)	70-1110-00051	11	10,000	Double	Shear	Studded	Studded	4	Flanged	3-1/16" – 10k	625 Inconel
11" – 10k, DR Ram Forged Shear IU™ BOP (FxFxF)	70-1110-00057	11	10,000	Double	Shear	Flanged	Flanged	4	Flanged	3-1/16" – 10k	625 Inconel
11" – 10k, DR Ram Forged Shear IU™ BOP (FxFxF)	70-1110-00008	11	10,000	Double	Shear	Flanged	Flanged	4	Flanged	3-1/16" – 10k	625 Inconel

Note: For all IU™ Non-Shear BOPs, those BOPs can become "Shear Capable" by installing a Large Bore Shear Assembly (LBSA). The LBSA consist of; Large Bore Shear Bonnets, Intermediates, Pistons, Large Bore Bonnet Bolts and Tandem Boosters.

Additional outlet sizes and pressure connections rating are available upon request.

INTEGRATED OEM API 16A MONOGRAMMED TYPE IU™ RAM BLOWOUT PREVENTER

13-5/8" – 5k, SINGLE (SR) RAM FORGED IU™ BOP

BOP Description	Part Number	Size (in.)	Pressure (psi)	Cavity	Non-Shear Or Shear	Top Connection	Bottom Connection	No. of Outlets	Outlet Connection	Outlet Size (in.)	Ring Grooves
13-5/8" – 5K, SR Ram Forged Non-Shear IU™ BOP (SxSxS)	70-1305-00087	13-5/8	5,000	Single	Non-Shear	Studded	Studded	2	Studded	4-1/16" – 5k	625 Inconel
13-5/8" – 5K, SR Ram Forged Non-Shear IU™ BOP (SxFxS)	70-1305-00017	13-5/8	5,000	Single	Non-Shear	Studded	Flanged	2	Studded	4-1/16" – 5k	625 Inconel
13-5/8" – 5K, SR Ram Forged Non-Shear IU™ BOP (FxFxS)	70-1305-00096	13-5/8	5,000	Single	Non-Shear	Flanged	Studded	2	Studded	4-1/16" – 5k	625 Inconel
13-5/8" – 5K, SR Ram Forged Non-Shear IU™ BOP (FxFxS)	70-1305-00018	13-5/8	5,000	Single	Non-Shear	Flanged	Flanged	2	Studded	4-1/16" – 5k	625 Inconel
13-5/8" – 5K, SR Ram Forged Non-Shear IU™ BOP (SxSxS)	70-1305-00088	13-5/8	5,000	Single	Non-Shear	Studded	Studded	0	Studded	No Outlets	625 Inconel
13-5/8" – 5K, SR Ram Forged Non-Shear IU™ BOP (SxFxS)	70-1305-00092	13-5/8	5,000	Single	Non-Shear	Studded	Flanged	0	Studded	No Outlets	625 Inconel
13-5/8" – 5K, SR Ram Forged Non-Shear IU™ BOP (FxFxS)	70-1305-00097	13-5/8	5,000	Single	Non-Shear	Flanged	Studded	0	Studded	No Outlets	625 Inconel
13-5/8" – 5K, SR Ram Forged Non-Shear IU™ BOP (FxFxS)	70-1305-00102	13-5/8	5,000	Single	Non-Shear	Flanged	Flanged	0	Studded	No Outlets	625 Inconel
13-5/8" – 5K, SR Ram Forged Non-Shear IU™ BOP (SxSxF)	70-1305-00048	13-5/8	5,000	Single	Non-Shear	Studded	Studded	2	Flanged	4-1/16" – 5k	625 Inconel
13-5/8" – 5K, SR Ram Forged Non-Shear IU™ BOP (SxFxF)	70-1305-00093	13-5/8	5,000	Single	Non-Shear	Studded	Studded	2	Flanged	4-1/16" – 5k	625 Inconel
13-5/8" – 5K, SR Ram Forged Non-Shear IU™ BOP (FxFxF)	70-1305-00098	13-5/8	5,000	Single	Non-Shear	Flanged	Flanged	2	Flanged	4-1/16" – 5k	625 Inconel
13-5/8" – 5K, SR Ram Forged Non-Shear IU™ BOP (FxFxF)	70-1305-00034	13-5/8	5,000	Single	Non-Shear	Flanged	Flanged	2	Flanged	4-1/16" – 5k	625 Inconel
13-5/8" – 5K, SR Ram Forged Shear IU™ BOP (SxSxS)	70-1305-00089	13-5/8	5,000	Single	Shear	Studded	Studded	2	Studded	4-1/16" – 5k	625 Inconel
13-5/8" – 5K, SR Ram Forged Shear IU™ BOP (SxFxS)	70-1305-00093	13-5/8	5,000	Single	Shear	Studded	Flanged	2	Studded	4-1/16" – 5k	625 Inconel
13-5/8" – 5K, SR Ram Forged Shear IU™ BOP (FxFxS)	70-1305-00099	13-5/8	5,000	Single	Shear	Flanged	Studded	2	Studded	4-1/16" – 5k	625 Inconel
13-5/8" – 5K, SR Ram Forged Shear IU™ BOP (FxFxS)	70-1305-00103	13-5/8	5,000	Single	Shear	Flanged	Flanged	2	Studded	4-1/16" – 5k	625 Inconel
13-5/8" – 5K, SR Ram Forged Shear IU™ BOP (SxSxS)	70-1305-00090	13-5/8	5,000	Single	Shear	Studded	Studded	0	Studded	No Outlets	625 Inconel
13-5/8" – 5K, SR Ram Forged Shear IU™ BOP (SxFxS)	70-1305-00094	13-5/8	5,000	Single	Shear	Studded	Flanged	0	Studded	No Outlets	625 Inconel
13-5/8" – 5K, SR Ram Forged Shear IU™ BOP (FxFxS)	70-1305-00100	13-5/8	5,000	Single	Shear	Flanged	Studded	0	Studded	No Outlets	625 Inconel
13-5/8" – 5K, SR Ram Forged Shear IU™ BOP (FxFxS)	70-1305-00104	13-5/8	5,000	Single	Shear	Flanged	Flanged	0	Studded	No Outlets	625 Inconel
13-5/8" – 5K, SR Ram Forged Shear IU™ BOP (SxSxF)	70-1305-00091	13-5/8	5,000	Single	Shear	Studded	Studded	2	Flanged	4-1/16" – 5k	625 Inconel
13-5/8" – 5K, SR Ram Forged Shear IU™ BOP (SxFxF)	70-1305-00095	13-5/8	5,000	Single	Shear	Studded	Studded	2	Flanged	4-1/16" – 5k	625 Inconel
13-5/8" – 5K, SR Ram Forged Shear IU™ BOP (FxFxF)	70-1305-00101	13-5/8	5,000	Single	Shear	Flanged	Flanged	2	Flanged	4-1/16" – 5k	625 Inconel
13-5/8" – 5K, SR Ram Forged Shear IU™ BOP (FxFxF)	70-1305-00041	13-5/8	5,000	Single	Shear	Flanged	Flanged	2	Flanged	4-1/16" – 5k	625 Inconel

13-5/8" – 10k, SINGLE (SR) RAM FORGED IU™ BOP

BOP Description	Part Number	Size (in.)	Pressure (psi)	Cavity	Non-Shear Or Shear	Top Connection	Bottom Connection	No. of Outlets	Outlet Connection	Outlet Size (in.)	Ring Grooves
13-5/8" – 10k, SR Ram Forged Non-Shear IU™ BOP (SxSxS)	95-01131020100	13-5/8	10,000	Single	Non-Shear	Studded	Studded	2	Studded	4-1/16" – 10k	625 Inconel
13-5/8" – 10k, SR Ram Forged Non-Shear IU™ BOP (SxFxS)	70-1310-00056	13-5/8	10,000	Single	Non-Shear	Studded	Flanged	2	Studded	4-1/16" – 10k	625 Inconel
13-5/8" – 10k, SR Ram Forged Non-Shear IU™ BOP (FxFxS)	70-1310-00014	13-5/8	10,000	Single	Non-Shear	Flanged	Studded	2	Studded	4-1/16" – 10k	625 Inconel
13-5/8" – 10k, SR Ram Forged Non-Shear IU™ BOP (FxFxS)	70-1310-00000	13-5/8	10,000	Single	Non-Shear	Flanged	Flanged	2	Studded	4-1/16" – 10k	625 Inconel
13-5/8" – 10k, SR Ram Forged Non-Shear IU™ BOP (SxSxS)	70-1310-00024	13-5/8	10,000	Single	Non-Shear	Studded	Studded	0	Studded	No Outlets	625 Inconel
13-5/8" – 10k, SR Ram Forged Non-Shear IU™ BOP (SxFxS)	70-1310-00057	13-5/8	10,000	Single	Non-Shear	Studded	Flanged	0	Studded	No Outlets	625 Inconel
13-5/8" – 10k, SR Ram Forged Non-Shear IU™ BOP (FxFxS)	70-1310-00017	13-5/8	10,000	Single	Non-Shear	Flanged	Studded	0	Studded	No Outlets	625 Inconel
13-5/8" – 10k, SR Ram Forged Non-Shear IU™ BOP (FxFxS)	70-1310-00010	13-5/8	10,000	Single	Non-Shear	Flanged	Flanged	0	Studded	No Outlets	625 Inconel
13-5/8" – 10k, SR Ram Forged Non-Shear IU™ BOP (SxSxF)	70-1310-00054	13-5/8	10,000	Single	Non-Shear	Studded	Studded	2	Flanged	4-1/16" – 10k	625 Inconel
13-5/8" – 10k, SR Ram Forged Non-Shear IU™ BOP (SxFxF)	70-1310-00058	13-5/8	10,000	Single	Non-Shear	Studded	Studded	2	Flanged	4-1/16" – 10k	625 Inconel
13-5/8" – 10k, SR Ram Forged Non-Shear IU™ BOP (FxFxF)	70-1310-00019	13-5/8	10,000	Single	Non-Shear	Flanged	Flanged	2	Flanged	4-1/16" – 10k	625 Inconel
13-5/8" – 10k, SR Ram Forged Non-Shear IU™ BOP (FxFxF)	70-1310-00008	13-5/8	10,000	Single	Non-Shear	Flanged	Flanged	2	Flanged	4-1/16" – 10k	625 Inconel
13-5/8" – 10k, SR Ram Forged Shear IU™ BOP (SxSxS)	70-1310-00002	13-5/8	10,000	Single	Shear	Studded	Studded	2	Studded	4-1/16" – 10k	625 Inconel
13-5/8" – 10k, SR Ram Forged Shear IU™ BOP (SxFxS)	70-1310-00059	13-5/8	10,000	Single	Shear	Studded	Flanged	2	Studded	4-1/16" – 10k	625 Inconel
13-5/8" – 10k, SR Ram Forged Shear IU™ BOP (FxFxS)	70-1310-00062	13-5/8	10,000	Single	Shear	Flanged	Studded	2	Studded	4-1/16" – 10k	625 Inconel
13-5/8" – 10k, SR Ram Forged Shear IU™ BOP (FxFxS)	70-1310-00065	13-5/8	10,000	Single	Shear	Flanged	Flanged	2	Studded	4-1/16" – 10k	625 Inconel
13-5/8" – 10k, SR Ram Forged Shear IU™ BOP (SxSxS)	70-1310-00055	13-5/8	10,000	Single	Shear	Studded	Studded	0	Studded	No Outlets	625 Inconel
13-5/8" – 10k, SR Ram Forged Shear IU™ BOP (SxFxS)	70-1310-00060	13-5/8	10,000	Single	Shear	Studded	Flanged	0	Studded	No Outlets	625 Inconel
13-5/8" – 10k, SR Ram Forged Shear IU™ BOP (FxFxS)	70-1310-00063	13-5/8	10,000	Single	Shear	Flanged	Studded	0	Studded	No Outlets	625 Inconel
13-5/8" – 10k, SR Ram Forged Shear IU™ BOP (FxFxS)	70-1310-00066	13-5/8	10,000	Single	Shear	Flanged	Flanged	0	Studded	No Outlets	625 Inconel
13-5/8" – 10k, SR Ram Forged Shear IU™ BOP (SxSxF)	70-1310-00025	13-5/8	10,000	Single	Shear	Studded	Studded	2	Flanged	4-1/16" – 10k	625 Inconel
13-5/8" – 10k, SR Ram Forged Shear IU™ BOP (SxFxF)	70-1310-00061	13-5/8	10,000	Single	Shear	Studded	Studded	2	Flanged	4-1/16" – 10k	625 Inconel
13-5/8" – 10k, SR Ram Forged Shear IU™ BOP (FxFxF)	70-1310-00064	13-5/8	10,000	Single	Shear	Flanged	Flanged	2	Flanged	4-1/16" – 10k	625 Inconel
13-5/8" – 10k, SR Ram Forged Shear IU™ BOP (FxFxF)	70-1310-00039	13-5/8	10,000	Single	Shear	Flanged	Flanged	2	Flanged	4-1/16" – 10k	625 Inconel

Note: For all IU™ Non-Shear BOPs, those BOPs can become "Shear Capable" by installing a Large Bore Shear Assembly (LBSA). The LBSA consist of; Large Bore Shear Bonnets, Intermediates, Pistons, Large Bore Bonnet Bolts and Tandem Boosters.

Additional outlet sizes and pressure rating connections are available upon request.

INTEGRATED OEM API 16A MONOGRAMMED TYPE IU™ RAM BLOWOUT PREVENTER

13-5/8" – 5k, DOUBLE (DR) RAM FORGED IU™ BOP

BOP Description	Part Number	Size (in.)	Pressure (psi)	Cavity	Non-Shear Or Shear	Top Connection	Bottom Connection	No. of Outlets	Outlet Connection	Outlet Size (in.)	Ring Grooves
13-5/8" – 5K, DR Ram Forged Non-Shear IU™ BOP (SxSxS)	70-1305-00105	13-5/8	5,000	Double	Non-Shear	Studded	Studded	4	Studded	4-1/16" – 5k	625 Inconel
13-5/8" – 5K, DR Ram Forged Non-Shear IU™ BOP (SxFxS)	70-1305-00108	13-5/8	5,000	Double	Non-Shear	Studded	Flanged	4	Studded	4-1/16" – 5k	625 Inconel
13-5/8" – 5K, DR Ram Forged Non-Shear IU™ BOP (FxSxS)	70-1305-00113	13-5/8	5,000	Double	Non-Shear	Flanged	Studded	4	Studded	4-1/16" – 5k	625 Inconel
13-5/8" – 5K, DR Ram Forged Non-Shear IU™ BOP (FxFxS)	70-1305-00040	13-5/8	5,000	Double	Non-Shear	Flanged	Flanged	4	Studded	4-1/16" – 5k	625 Inconel
13-5/8" – 5K, DR Ram Forged Non-Shear IU™ BOP (SxSxS)	95-02130520100	13-5/8	5,000	Double	Non-Shear	Studded	Studded	0	Studded	No Outlets	625 Inconel
13-5/8" – 5K, DR Ram Forged Non-Shear IU™ BOP (SxFxS)	70-1305-00109	13-5/8	5,000	Single	Non-Shear	Studded	Flanged	0	Studded	No Outlets	625 Inconel
13-5/8" – 5K, DR Ram Forged Non-Shear IU™ BOP (FxSxS)	70-1305-00114	13-5/8	5,000	Single	Non-Shear	Flanged	Studded	0	Studded	No Outlets	625 Inconel
13-5/8" – 5K, DR Ram Forged Non-Shear IU™ BOP (FxFxS)	70-1305-00021	13-5/8	5,000	Single	Non-Shear	Flanged	Flanged	0	Studded	No Outlets	625 Inconel
13-5/8" – 5K, DR Ram Forged Non-Shear IU™ BOP (SxSxF)	70-1305-00050	13-5/8	5,000	Double	Non-Shear	Studded	Studded	4	Flanged	4-1/16" – 5k	625 Inconel
13-5/8" – 5K, DR Ram Forged Non-Shear IU™ BOP (SxFxF)	70-1305-00049	13-5/8	5,000	Double	Non-Shear	Studded	Studded	4	Flanged	4-1/16" – 5k	625 Inconel
13-5/8" – 5K, DR Ram Forged Non-Shear IU™ BOP (FxSxF)	70-1305-00115	13-5/8	5,000	Double	Non-Shear	Flanged	Flanged	4	Flanged	4-1/16" – 5k	625 Inconel
13-5/8" – 5K, DR Ram Forged Non-Shear IU™ BOP (FxFxF)	70-1305-00016	13-5/8	5,000	Double	Non-Shear	Flanged	Flanged	4	Flanged	4-1/16" – 5k	625 Inconel
13-5/8" – 5K, DR Ram Forged Shear IU™ BOP (SxSxS)	70-1305-00106	13-5/8	5,000	Double	Shear	Studded	Studded	4	Studded	4-1/16" – 5k	625 Inconel
13-5/8" – 5K, DR Ram Forged Shear IU™ BOP (SxFxS)	70-1305-00110	13-5/8	5,000	Double	Shear	Studded	Flanged	4	Studded	4-1/16" – 5k	625 Inconel
13-5/8" – 5K, DR Ram Forged Shear IU™ BOP (FxSxS)	70-1305-00116	13-5/8	5,000	Double	Shear	Flanged	Studded	4	Studded	4-1/16" – 5k	625 Inconel
13-5/8" – 5K, DR Ram Forged Shear IU™ BOP (FxFxS)	70-1305-00000	13-5/8	5,000	Double	Shear	Flanged	Flanged	4	Studded	4-1/16" – 5k	625 Inconel
13-5/8" – 5K, DR Ram Forged Shear IU™ BOP (SxSxS)	70-1305-00062	13-5/8	5,000	Double	Shear	Studded	Studded	0	Studded	No Outlets	625 Inconel
13-5/8" – 5K, DR Ram Forged Shear IU™ BOP (SxFxS)	70-1305-00111	13-5/8	5,000	Double	Shear	Studded	Flanged	0	Studded	No Outlets	625 Inconel
13-5/8" – 5K, DR Ram Forged Shear IU™ BOP (FxSxS)	70-1305-00117	13-5/8	5,000	Double	Shear	Flanged	Studded	0	Studded	No Outlets	625 Inconel
13-5/8" – 5K, DR Ram Forged Shear IU™ BOP (FxFxS)	70-1305-00119	13-5/8	5,000	Double	Shear	Flanged	Flanged	0	Studded	No Outlets	625 Inconel
13-5/8" – 5K, DR Ram Forged Shear IU™ BOP (SxSxF)	70-1305-00107	13-5/8	5,000	Double	Shear	Studded	Studded	4	Flanged	4-1/16" – 5k	625 Inconel
13-5/8" – 5K, DR Ram Forged Shear IU™ BOP (SxFxF)	70-1305-00112	13-5/8	5,000	Double	Shear	Studded	Studded	4	Flanged	4-1/16" – 5k	625 Inconel
13-5/8" – 5K, DR Ram Forged Shear IU™ BOP (FxSxF)	70-1305-00118	13-5/8	5,000	Double	Shear	Flanged	Flanged	4	Flanged	4-1/16" – 5k	625 Inconel
13-5/8" – 5K, DR Ram Forged Shear IU™ BOP (FxFxF)	70-1305-00043	13-5/8	5,000	Double	Shear	Flanged	Flanged	4	Flanged	4-1/16" – 5k	625 Inconel

13-5/8" – 10k, DOUBLE (DR) RAM FORGED IU™ BOP

BOP Description	Part Number	Size (in.)	Pressure (psi)	Cavity	Non-Shear Or Shear	Top Connection	Bottom Connection	No. of Outlets	Outlet Connection	Outlet Size (in.)	Ring Grooves
13-5/8" – 10k, DR Ram Forged Non-Shear IU™ BOP (SxSxS)	70-1310-00067	13-5/8	10,000	Double	Non-Shear	Studded	Studded	4	Studded	4-1/16" – 10k	625 Inconel
13-5/8" – 10k, DR Ram Forged Non-Shear IU™ BOP (SxFxS)	70-1310-00072	13-5/8	10,000	Double	Non-Shear	Studded	Flanged	4	Studded	4-1/16" – 10k	625 Inconel
13-5/8" – 10k, DR Ram Forged Non-Shear IU™ BOP (FxSxS)	70-1310-00078	13-5/8	10,000	Double	Non-Shear	Flanged	Studded	4	Studded	4-1/16" – 10k	625 Inconel
13-5/8" – 10k, DR Ram Forged Non-Shear IU™ BOP (FxFxS)	70-1310-00034	13-5/8	10,000	Double	Non-Shear	Flanged	Flanged	4	Studded	4-1/16" – 10k	625 Inconel
13-5/8" – 10k, DR Ram Forged Non-Shear IU™ BOP (SxSxS)	70-1310-00068	13-5/8	10,000	Double	Non-Shear	Studded	Studded	0	Studded	No Outlets	625 Inconel
13-5/8" – 10k, DR Ram Forged Non-Shear IU™ BOP (SxFxS)	70-1310-00073	13-5/8	10,000	Double	Non-Shear	Studded	Flanged	0	Studded	No Outlets	625 Inconel
13-5/8" – 10k, DR Ram Forged Non-Shear IU™ BOP (FxSxS)	70-1310-00079	13-5/8	10,000	Double	Non-Shear	Flanged	Studded	0	Studded	No Outlets	625 Inconel
13-5/8" – 10k, DR Ram Forged Non-Shear IU™ BOP (FxFxS)	70-1310-00084	13-5/8	10,000	Double	Non-Shear	Flanged	Flanged	0	Studded	No Outlets	625 Inconel
13-5/8" – 10k, DR Ram Forged Non-Shear IU™ BOP (SxSxF)	70-1310-00069	13-5/8	10,000	Double	Non-Shear	Studded	Studded	4	Flanged	4-1/16" – 10k	625 Inconel
13-5/8" – 10k, DR Ram Forged Non-Shear IU™ BOP (SxFxF)	70-1310-00074	13-5/8	10,000	Double	Non-Shear	Studded	Studded	4	Flanged	4-1/16" – 10k	625 Inconel
13-5/8" – 10k, DR Ram Forged Non-Shear IU™ BOP (FxSxF)	70-1310-00083	13-5/8	10,000	Double	Non-Shear	Flanged	Flanged	4	Flanged	4-1/16" – 10k	625 Inconel
13-5/8" – 10k, DR Ram Forged Non-Shear IU™ BOP (FxFxF)	70-1310-00007	13-5/8	10,000	Double	Non-Shear	Flanged	Flanged	4	Flanged	4-1/16" – 10k	625 Inconel
13-5/8" – 10k, DR Ram Forged Shear IU™ BOP (SxSxS)	95-02131020800	13-5/8	10,000	Double	Shear	Studded	Studded	4	Studded	4-1/16" – 10k	625 Inconel
13-5/8" – 10k, DR Ram Forged Shear IU™ BOP (SxFxS)	70-1310-00075	13-5/8	10,000	Double	Shear	Studded	Flanged	4	Studded	4-1/16" – 10k	625 Inconel
13-5/8" – 10k, DR Ram Forged Shear IU™ BOP (FxSxS)	70-1310-00080	13-5/8	10,000	Double	Shear	Flanged	Studded	4	Studded	4-1/16" – 10k	625 Inconel
13-5/8" – 10k, DR Ram Forged Shear IU™ BOP (FxFxS)	70-1310-00001	13-5/8	10,000	Double	Shear	Flanged	Flanged	4	Studded	4-1/16" – 10k	625 Inconel
13-5/8" – 10k, DR Ram Forged Shear IU™ BOP (SxSxS)	70-1310-00070	13-5/8	10,000	Double	Shear	Studded	Studded	0	Studded	No Outlets	625 Inconel
13-5/8" – 10k, DR Ram Forged Shear IU™ BOP (SxFxS)	70-1310-00076	13-5/8	10,000	Double	Shear	Studded	Flanged	0	Studded	No Outlets	625 Inconel
13-5/8" – 10k, DR Ram Forged Shear IU™ BOP (FxSxS)	70-1310-00081	13-5/8	10,000	Double	Shear	Flanged	Studded	0	Studded	No Outlets	625 Inconel
13-5/8" – 10k, DR Ram Forged Shear IU™ BOP (FxFxS)	70-1310-00086	13-5/8	10,000	Double	Shear	Flanged	Flanged	0	Studded	No Outlets	625 Inconel
13-5/8" – 10k, DR Ram Forged Shear IU™ BOP (SxSxF)	70-1310-00071	13-5/8	10,000	Double	Shear	Studded	Studded	4	Flanged	4-1/16" – 10k	625 Inconel
13-5/8" – 10k, DR Ram Forged Shear IU™ BOP (SxFxF)	70-1310-00077	13-5/8	10,000	Double	Shear	Studded	Studded	4	Flanged	4-1/16" – 10k	625 Inconel
13-5/8" – 10k, DR Ram Forged Shear IU™ BOP (FxSxF)	70-1310-00082	13-5/8	10,000	Double	Shear	Flanged	Flanged	4	Flanged	4-1/16" – 10k	625 Inconel
13-5/8" – 10k, DR Ram Forged Shear IU™ BOP (FxFxF)	70-1310-00035	13-5/8	10,000	Double	Shear	Flanged	Flanged	4	Flanged	4-1/16" – 10k	625 Inconel

Note: For all IU™ Non-Shear BOPs, those BOPs can become "Shear Capable" by installing a Large Bore Shear Assembly (LBSA). The LBSA consist of; Large Bore Shear Bonnets, Intermediates, Pistons, Large Bore Bonnet Bolts and Tandem Boosters.

Additional outlet sizes and pressure rating connections are available upon request.

**INTEGRATED OEM API 16A MONOGRAMMED
TYPE IU™ RAM BLOWOUT PREVENTER**
21-1/4" – 2k, SINGLE (SR) RAM FORGED IU™ BOP

BOP Description	Part Number	Size (in.)	Pressure (psi)	Cavity	Non-Shear Or Shear	Top Connection	Bottom Connection	No. of Outlets	Outlet Connection	Outlet Size (in.)	Ring Grooves
21-1/4" – 2k, SR Ram Forged Non-Shear IU™ BOP (SxSxS)	70-2102-00010	21-1/4	2,000	Single	Non-Shear	Studded	Studded	2	Studded	4-1/16" – 2k	625 Inconel
21-1/4" – 2k, SR Ram Forged Non-Shear IU™ BOP (SxFxS)	70-2102-00016	21-1/4	2,000	Single	Non-Shear	Studded	Flanged	2	Studded	4-1/16" – 2k	625 Inconel
21-1/4" – 2k, SR Ram Forged Non-Shear IU™ BOP (FxFxS)	70-2102-00022	21-1/4	2,000	Single	Non-Shear	Flanged	Studded	2	Studded	4-1/16" – 2k	625 Inconel
21-1/4" – 2k, SR Ram Forged Non-Shear IU™ BOP (FxFxS)	70-2102-00028	21-1/4	2,000	Single	Non-Shear	Flanged	Flanged	2	Studded	4-1/16" – 2k	625 Inconel
21-1/4" – 2k, SR Ram Forged Non-Shear IU™ BOP (SxSxS)	70-2102-00011	21-1/4	2,000	Single	Non-Shear	Studded	Studded	0	Studded	No Outlets	625 Inconel
21-1/4" – 2k, SR Ram Forged Non-Shear IU™ BOP (SxFxS)	70-2102-00017	21-1/4	2,000	Single	Non-Shear	Studded	Flanged	0	Studded	No Outlets	625 Inconel
21-1/4" – 2k, SR Ram Forged Non-Shear IU™ BOP (FxFxS)	70-2102-00023	21-1/4	2,000	Single	Non-Shear	Flanged	Studded	0	Studded	No Outlets	625 Inconel
21-1/4" – 2k, SR Ram Forged Non-Shear IU™ BOP (FxFxS)	70-2102-00029	21-1/4	2,000	Single	Non-Shear	Flanged	Flanged	0	Studded	No Outlets	625 Inconel
21-1/4" – 2k, SR Ram Forged Non-Shear IU™ BOP (SxSxF)	70-2102-00012	21-1/4	2,000	Single	Non-Shear	Studded	Studded	2	Flanged	4-1/16" – 2k	625 Inconel
21-1/4" – 2k, SR Ram Forged Non-Shear IU™ BOP (SxFxF)	70-2102-00018	21-1/4	2,000	Single	Non-Shear	Studded	Studded	2	Flanged	4-1/16" – 2k	625 Inconel
21-1/4" – 2k, SR Ram Forged Non-Shear IU™ BOP (FxFxF)	70-2102-00024	21-1/4	2,000	Single	Non-Shear	Flanged	Flanged	2	Flanged	4-1/16" – 2k	625 Inconel
21-1/4" – 2k, SR Ram Forged Non-Shear IU™ BOP (FxFxF)	70-2102-00004	21-1/4	2,000	Single	Non-Shear	Flanged	Flanged	2	Flanged	4-1/16" – 2k	625 Inconel
21-1/4" – 2k, SR Ram Forged Non-Shear IU™ BOP (FxFxF)	70-2102-00006	21-1/4	2,000	Single	Non-Shear	Flanged	Flanged	2	Flanged	4-1/16" – 5k	625 Inconel
21-1/4" – 2k, SR Ram Forged Shear IU™ BOP (SxSxS)	70-2102-00013	21-1/4	2,000	Single	Shear	Studded	Studded	2	Studded	4-1/16" – 2k	625 Inconel
21-1/4" – 2k, SR Ram Forged Shear IU™ BOP (SxFxS)	70-2102-00019	21-1/4	2,000	Single	Shear	Studded	Flanged	2	Studded	4-1/16" – 2k	625 Inconel
21-1/4" – 2k, SR Ram Forged Shear IU™ BOP (FxFxS)	70-2102-00025	21-1/4	2,000	Single	Shear	Flanged	Studded	2	Studded	4-1/16" – 2k	625 Inconel
21-1/4" – 2k, SR Ram Forged Shear IU™ BOP (FxFxS)	70-2102-00030	21-1/4	2,000	Single	Shear	Flanged	Flanged	2	Studded	4-1/16" – 2k	625 Inconel
21-1/4" – 2k, SR Ram Forged Shear IU™ BOP (SxSxS)	70-2102-00014	21-1/4	2,000	Single	Shear	Studded	Studded	0	Studded	No Outlets	625 Inconel
21-1/4" – 2k, SR Ram Forged Shear IU™ BOP (SxFxS)	70-2102-00020	21-1/4	2,000	Single	Shear	Studded	Flanged	0	Studded	No Outlets	625 Inconel
21-1/4" – 2k, SR Ram Forged Shear IU™ BOP (FxFxS)	70-2102-00026	21-1/4	2,000	Single	Shear	Flanged	Studded	0	Studded	No Outlets	625 Inconel
21-1/4" – 2k, SR Ram Forged Shear IU™ BOP (FxFxS)	70-2102-00031	21-1/4	2,000	Single	Shear	Flanged	Flanged	0	Studded	No Outlets	625 Inconel
21-1/4" – 2k, SR Ram Forged Shear IU™ BOP (SxSxF)	70-2102-00015	21-1/4	2,000	Single	Shear	Studded	Studded	2	Flanged	4-1/16" – 2k	625 Inconel
21-1/4" – 2k, SR Ram Forged Shear IU™ BOP (SxFxF)	70-2102-00021	21-1/4	2,000	Single	Shear	Studded	Studded	2	Flanged	4-1/16" – 2k	625 Inconel
21-1/4" – 2k, SR Ram Forged Shear IU™ BOP (FxFxF)	70-2102-00027	21-1/4	2,000	Single	Shear	Flanged	Flanged	2	Flanged	4-1/16" – 2k	625 Inconel
21-1/4" – 2k, SR Ram Forged Shear IU™ BOP (FxFxF)	70-2102-00009	21-1/4	2,000	Single	Shear	Flanged	Flanged	2	Flanged	4-1/16" – 2k	625 Inconel

21-1/4" – 2k, DOUBLE (DR) RAM FORGED IU™ BOP

BOP Description	Part Number	Size (in.)	Pressure (psi)	Cavity	Non-Shear Or Shear	Top Connection	Bottom Connection	No. of Outlets	Outlet Connection	Outlet Size (in.)	Ring Grooves
21-1/4" – 2k, DR Ram Forged Non-Shear IU™ BOP (SxSxS)	70-2102-00032	21-1/4	2,000	Double	Non-Shear	Studded	Studded	4	Studded	4-1/16" – 2k	625 Inconel
21-1/4" – 2k, DR Ram Forged Non-Shear IU™ BOP (SxFxS)	70-2102-00038	21-1/4	2,000	Double	Non-Shear	Studded	Flanged	4	Studded	4-1/16" – 2k	625 Inconel
21-1/4" – 2k, DR Ram Forged Non-Shear IU™ BOP (FxFxS)	70-2102-00044	21-1/4	2,000	Double	Non-Shear	Flanged	Studded	4	Studded	4-1/16" – 2k	625 Inconel
21-1/4" – 2k, DR Ram Forged Non-Shear IU™ BOP (FxFxS)	70-2102-00050	21-1/4	2,000	Double	Non-Shear	Flanged	Flanged	4	Studded	4-1/16" – 2k	625 Inconel
21-1/4" – 2k, DR Ram Forged Non-Shear IU™ BOP (SxSxS)	70-2102-00033	21-1/4	2,000	Double	Non-Shear	Studded	Studded	0	Studded	No Outlets	625 Inconel
21-1/4" – 2k, DR Ram Forged Non-Shear IU™ BOP (SxFxS)	70-2102-00039	21-1/4	2,000	Double	Non-Shear	Studded	Flanged	0	Studded	No Outlets	625 Inconel
21-1/4" – 2k, DR Ram Forged Non-Shear IU™ BOP (FxFxS)	70-2102-00045	21-1/4	2,000	Double	Non-Shear	Flanged	Studded	0	Studded	No Outlets	625 Inconel
21-1/4" – 2k, DR Ram Forged Non-Shear IU™ BOP (FxFxS)	70-2102-00051	21-1/4	2,000	Double	Non-Shear	Flanged	Flanged	0	Studded	No Outlets	625 Inconel
21-1/4" – 2k, DR Ram Forged Non-Shear IU™ BOP (SxSxF)	70-2102-00034	21-1/4	2,000	Double	Non-Shear	Studded	Studded	4	Flanged	4-1/16" – 2k	625 Inconel
21-1/4" – 2k, DR Ram Forged Non-Shear IU™ BOP (SxFxF)	70-2102-00040	21-1/4	2,000	Double	Non-Shear	Studded	Studded	4	Flanged	4-1/16" – 2k	625 Inconel
21-1/4" – 2k, DR Ram Forged Non-Shear IU™ BOP (FxFxF)	70-2102-00046	21-1/4	2,000	Double	Non-Shear	Flanged	Flanged	4	Flanged	4-1/16" – 2k	625 Inconel
21-1/4" – 2k, DR Ram Forged Non-Shear IU™ BOP (FxFxF)	70-2102-00000	21-1/4	2,000	Double	Non-Shear	Flanged	Flanged	4	Flanged	4-1/16" – 2k	625 Inconel
21-1/4" – 2k, DR Ram Forged Non-Shear IU™ BOP (FxFxF)	70-2102-00003	21-1/4	2,000	Double	Non-Shear	Flanged	Flanged	4	Flanged	4-1/16" – 5k	625 Inconel
21-1/4" – 2k, DR Ram Forged Shear IU™ BOP (SxSxS)	70-2102-00035	21-1/4	2,000	Double	Shear	Studded	Studded	4	Studded	4-1/16" – 2k	625 Inconel
21-1/4" – 2k, DR Ram Forged Shear IU™ BOP (SxFxS)	70-2102-00041	21-1/4	2,000	Double	Shear	Studded	Flanged	4	Studded	4-1/16" – 2k	625 Inconel
21-1/4" – 2k, DR Ram Forged Shear IU™ BOP (FxFxS)	70-2102-00047	21-1/4	2,000	Double	Shear	Flanged	Studded	4	Studded	4-1/16" – 2k	625 Inconel
21-1/4" – 2k, DR Ram Forged Shear IU™ BOP (FxFxS)	70-2102-00052	21-1/4	2,000	Double	Shear	Flanged	Flanged	4	Studded	4-1/16" – 2k	625 Inconel
21-1/4" – 2k, DR Ram Forged Shear IU™ BOP (SxSxS)	70-2102-00036	21-1/4	2,000	Double	Shear	Studded	Studded	0	Studded	No Outlets	625 Inconel
21-1/4" – 2k, DR Ram Forged Shear IU™ BOP (SxFxS)	70-2102-00042	21-1/4	2,000	Double	Shear	Studded	Flanged	0	Studded	No Outlets	625 Inconel
21-1/4" – 2k, DR Ram Forged Shear IU™ BOP (FxFxS)	70-2102-00048	21-1/4	2,000	Double	Shear	Flanged	Studded	0	Studded	No Outlets	625 Inconel
21-1/4" – 2k, DR Ram Forged Shear IU™ BOP (FxFxS)	70-2102-00053	21-1/4	2,000	Double	Shear	Flanged	Flanged	0	Studded	No Outlets	625 Inconel
21-1/4" – 2k, DR Ram Forged Shear IU™ BOP (SxSxF)	70-2102-00037	21-1/4	2,000	Double	Shear	Studded	Studded	4	Flanged	4-1/16" – 2k	625 Inconel
21-1/4" – 2k, DR Ram Forged Shear IU™ BOP (SxFxF)	70-2102-00043	21-1/4	2,000	Double	Shear	Studded	Studded	4	Flanged	4-1/16" – 2k	625 Inconel
21-1/4" – 2k, DR Ram Forged Shear IU™ BOP (FxFxF)	70-2102-00049	21-1/4	2,000	Double	Shear	Flanged	Flanged	4	Flanged	4-1/16" – 2k	625 Inconel
21-1/4" – 2k, DR Ram Forged Shear IU™ BOP (FxFxF)	70-2102-00054	21-1/4	2,000	Double	Shear	Flanged	Flanged	4	Flanged	4-1/16" – 2k	625 Inconel

Note: For all IU™ Non-Shear BOPs, those BOPs can become "Shear Capable" by installing a Large Bore Shear Assembly (LBSA). The LBSA consist of; Large Bore Shear Bonnets, Intermediates, Pistons, Large Bore Bonnet Bolts and Tandem Boosters.

Additional outlet sizes and pressure rating are connections available upon request.

INTEGRATED OEM API 16A MONOGRAMMED TYPE IU™ RAM BLOWOUT PREVENTER

IU™ RAM CARDED SEAL KITS

7-1/16" – 3|5|10|15k, RAM FORGED IU™ BOP

Seal Kit Description	Size (in.)	Pressure (psi)	Part Number	Weight Per Kit
7-1/16" 3M-15M IU™ Ram Standard Complete Seal Kit	7-1/16	3 15k	95-076449092-SB-CRK	6.50 lbs 2.95 kg
7-1/16" 3M-15M IU™ Ram Standard Soft Goods Seal Kit	7-1/16	3 15k	95-076449092-SB-SGK	2.50 lbs 1.15 kg
7-1/16" 3M-15M IU™ Ram Standard Hard Goods Seal Kit	7-1/16	3 15k	95-076449062-SB-HGK	4.00 lbs 1.80 kg
7-1/16" 3M-15M IU™ Ram Large Bore Complete Seal Kit	7-1/16	3 15k	95-07644860-LB-CRK	8.00 lbs 3.63 kg
7-1/16" 3M-15M IU™ Ram Large Bore Soft Goods Seal Kit	7-1/16	3 15k	95-07644860-LB-SGK	2.50 lbs 1.15 kg
7-1/16" 3M-15M IU™ Ram Large Bore Hard Goods Seal Kit	7-1/16	3 15k	95-07644860-LB-HGK	4.00 lbs 1.80 kg
7-1/16" 3M-15M IU™ Ram Tandem Booster Complete Seal Kit	7-1/16	3 15k	95-0702232403-TB-CRK	7.00 lbs 3.17 kg
7-1/16" 3M-15M IU™ Ram Tandem Booster Soft Goods Seal Kit	7-1/16	3 15k	95-0702232403-TB-SGK	1.75 lbs 0.80 kg
7-1/16" 3M-15M IU™ Ram Tandem Booster Hard Goods Seal Kit	7-1/16	3 15k	95-0702232403-TB-HGK	5.25 lbs 2.27 kg
7-1/16" 3M-15M IU™ Ram Mud Seal Kit				
7-1/16" 3M-15M IU™ Ram Mud Seal Kit	7-1/16	3 15k	70-0703-MSK	1.00 lbs 0.45 kg
7-1/16" 3M-15M IU™ Ram Molded Door Seal				
7-1/16" 3M-15M IU™ Ram Molded Door Seal	7-1/16	3 15k	82-190-6012	0 lbs 0.00 kg

11" – 3|5|10k, RAM FORGED IU™ BOP

Seal Kit Description	Size (in.)	Pressure (psi)	Part Number	Weight Per Kit
11" 3M-10M IU™ Ram Standard Complete Seal Kit	11"	3 10K	95-116449092-SB-CRK	10.00 lbs 4.54 kg
11" 3M-10M IU™ Ram Standard Soft Goods Seal Kit	11"	3 10K	95-116449092-SB-SGK	6.00 lbs 2.74 kg
11" 3M-10M IU™ Ram Standard Hard Goods Seal Kit	11"	3 10K	95-116449092-SB-HGK	4.00 lbs 1.80 kg
11" 3M-10M IU™ Ram Large Bore Complete Seal Kit	11"	3 10K	95-11644860-LB-CRK	14.00 lbs 6.35 kg
11" 3M-10M IU™ Ram Large Bore Soft Goods Seal Kit	11"	3 10K	95-11644860-LB-SGK	10.00 lbs 4.55 kg
11" 3M-10M IU™ Ram Large Bore Hard Goods Seal Kit	11"	3 10K	95-11644860-LB-HGK	4.00 lbs 1.80 kg
11" 3M-10M IU™ Ram Tandem Booster Complete Seal Kit	11"	3 10K	95-11132164148-TB-CRK	10.00 lbs 4.54 kg
11" 3M-10M IU™ Ram Tandem Booster Soft Goods Seal Kit	11"	3 10K	95-11132164148-TB-SGK	2.25 lbs 1.02 kg
11" 3M-10M IU™ Ram Tandem Booster Hard Goods Seal Kit	11"	3 10K	95-11132164148-TB-HGK	7.75 lbs 3.52 kg
11" 3M-10M IU™ Ram Molded Door Seal				
11" 3M-10M IU™ Ram Molded Door Seal	11	3 10k	82-906-013	0 lbs 0.00 kg

13-5/8" – 3|5|10k, RAM FORGED IU™ BOP

Seal Kit Description	Size (in.)	Pressure (psi)	Part Number	Weight Per Kit
13-5/8" 3M-10M IU™ Ram Standard Complete Seal Kit	13-5/8"	3 10K	95-136449092-SB-CRK	12.00 lbs 4.54 kg
13-5/8" 3M-10M IU™ Ram Standard Soft Goods Seal Kit	13-5/8"	3 10K	95-136449092-SB-SGK	8.00 lbs 3.63 kg
13-5/8" 3M-10M IU™ Ram Standard Hard Goods Seal Kit	13-5/8"	3 10K	95-136449092-SB-HGK	4.00 lbs 1.80 kg
13-5/8" 3M-10M IU™ Ram Large Bore Complete Seal Kit	13-5/8"	3 10K	95-13644860-LB-CRK	16.00 lbs 6.35 kg
13-5/8" 3M-10M IU™ Ram Large Bore Soft Goods Seal Kit	13-5/8"	3 10K	95-13644860-LB-SGK	12.00 lbs 4.55 kg
13-5/8" 3M-10M IU™ Ram Large Bore Hard Goods Seal Kit	13-5/8"	3 10K	95-13644860-LB-HGK	4.00 lbs 1.80 kg
13-5/8" 3M-10M IU™ Ram Tandem Booster Complete Seal Kit	13-5/8"	3 10K	95-11132164148-TB-CRK	10.00 lbs 4.54 kg
13-5/8" 3M-10M IU™ Ram Tandem Booster Soft Goods Seal Kit	13-5/8"	3 10K	95-11132164148-TB-SGK	2.25 lbs 1.02 kg
13-5/8" 3M-10M IU™ Ram Tandem Booster Hard Goods Seal Kit	13-5/8"	3 10K	95-11132164148-TB-HGK	7.75 lbs 3.52 kg
13-5/8" 3M-10M IU™ Ram Molded Door Seal				
13-5/8" 3M-10M IU™ Ram Molded Door Seal	13-5/8	3 10k	17-080-067	0 lbs 0.00 kg



INTEGRATED RAM BOP CARDED SEAL KIT

INTEGRATED OEM API 16A MONOGRAMMED TYPE IU™ RAM BLOWOUT PREVENTER

IU™ RAM BOP SEAL KIT BREAKDOWN

7-1/16" RAM FORGED IU™ BOP – STANDARD BONNET SEAL KIT BREAKDOWN

Complete Kit Part Number: 95-116449092-SB-CRK | Re-builds One Cavity (two Standard Bonnet Operators)

Item	Seal Description	Type	Material	Qty	7-1/16" – 3K Part Number	7-1/16" – 5K Part Number	7-1/16" – 10K Part Number	7-1/16" – 15K Part Number
1	O-Ring, Bonnet Bolt Retainer	Soft Goods	Nitrile 90A	8	17-090-112	17-090-113	17-090-114	17-090-118
2	O-Ring, Ram Change Piston to Body	Soft Goods	Nitrile 90A	4	82-184-9173	82-184-9173	82-184-9173	82-184-9173
3	O-Ring, Ram Change Piston to Int Flng	Soft Goods	Nitrile 90A	4	82-640-3291	82-640-3291	82-640-3291	82-640-3291
4	O-Ring, Wiping	Soft Goods	Nitrile 90A	2	82-640-3311	82-640-3311	82-640-3311	82-640-3311
5	O-Ring, Ram Change Piston	Soft Goods	Nitrile 90A	4	82-640-3321	82-640-3321	82-640-3321	82-640-3321
6	O-Ring, Ram Change Cylinder to Int Flng	Soft Goods	Nitrile 90A	4	82-640-3381	82-640-3381	82-640-3381	82-640-3381
7	O-Ring, Ram Change Cylinder to Bonnet	Soft Goods	Nitrile 90A	4	82-640-3421	82-640-3421	82-640-3421	82-640-3421
8	Lip Seal, Connecting Rod	Soft Goods	Nitrile 80A	2	82-117-4137	82-117-4137	82-117-4137	82-117-4137
9	Packing, Plastic	Soft Goods	Synthetic / Graphite	2	82-194-000	82-194-000	82-194-000	82-194-000
10	Washer, Modified	Soft Goods	Steel / Zinc Coated	2	82-485-004	82-485-004	82-485-004	82-485-004
11	Ring, Back Up	Soft Goods	NYLON	4	82-217-9221	82-217-9221	82-217-9221	82-217-9221
12	Ring, Plastic Energizing	Soft Goods	Nitrile 60A	2	82-185-8612	82-185-8612	82-185-8612	82-185-8612
13	O-Ring, Operating Cylinder	Soft Goods	Nitrile 90A	2	82-640-4461	82-640-4461	82-640-4461	82-640-4461
14	O-Ring, Operating Piston Rod to Int Flng	Soft Goods	Nitrile 80A	2	82-184-9292	82-184-9292	82-184-9292	82-184-9292
15	Lip Seal, Operating Piston	Soft Goods	Polyurethane 93A / Nitrile 70A	2	82-117-4774	82-117-4774	82-117-4774	82-117-4774
16	Ring, Retainer	Soft Goods	Stainless Steel	2	82-485-003	82-485-003	82-485-003	82-485-003
17	Wear Ring, Operating Piston	Soft Goods	Green Polymer-Filled PTFE	2	82-117-9223	82-117-9223	82-117-9223	82-117-9223
18	Seal, Bonnet	Soft Goods	Nitrile 80A / 8620 Steel	2	82-1906012	82-1906012	82-1906012	82-1906012
19	Tail Rod Seal Ring	Soft Goods	Nitrile 80A	2	95-077B-500A	95-077B-500A	95-077B-500A	95-077B-500A
20	Ring, Plastic Packing	Soft Goods	Nitrile-Fabric 75-80A	2	82-124-6936	82-124-6936	82-124-6936	82-124-6936
21	Pipe Plug	Hard Goods	Low-Carbon Steel	2	15-010-150	15-010-150	15-010-150	15-010-150
22	Screw	Hard Goods	Steel	2	26-014-350	26-014-350	26-014-350	26-014-350
23	Check Valve	Hard Goods	Steel / Zinc Cobalt Coated	2	26-016-001	26-016-001	26-016-001	26-016-001
24	Bleeder Gland	Hard Goods	Stainless Steel	2	26-012-051	26-012-051	26-012-051	26-012-051
25	Bleeder Plug	Hard Goods	Stainless Steel	2	26-016-052	26-016-052	26-016-052	26-016-052

7-1/16" RAM FORGED IU™ BOP – LARGE BORE BONNET SEAL KIT BREAKDOWN

Complete Kit Part Number: 95-07644860-LB-CRK | Re-builds One Cavity (two Large Bore Bonnet Operators)

Item	Seal Description	Type	Material	Qty	7-1/16" – 3K Part Number	7-1/16" – 5K Part Number	7-1/16" – 10K Part Number	7-1/16" – 15K Part Number
1	O-Ring, Bonnet Bolt Retainer	Soft Goods	Nitrile 90A	8	17-090-112	17-090-113	17-090-114	17-090-118
2	O-Ring, Ram Change Piston to Body	Soft Goods	Nitrile 90A	4	82-640-3291	82-640-3291	82-640-3291	82-640-3291
3	O-Ring, Ram Change Piston to Int Flng	Soft Goods	Nitrile 90A	4	82-640-3311	82-640-3311	82-640-3311	82-640-3311
4	O-Ring, Wiping	Soft Goods	Nitrile 90A	2	82-640-3321	82-640-3321	82-640-3321	82-640-3321
5	O-Ring, Ram Change Piston	Soft Goods	Nitrile 90A	4	82-640-3381	82-640-3381	82-640-3381	82-640-3381
6	O-Ring, Ram Change Cylinder to Int Flng	Soft Goods	Nitrile 90A	4	82-640-3421	82-640-3421	82-640-3421	82-640-3421
7	O-Ring, Ram Change Cylinder to Bonnet	Soft Goods	Nitrile 90A	4	82-117-4137	82-117-4137	82-117-4137	82-117-4137
8	Lip Seal, Connecting Rod	Soft Goods	Nitrile 80A	2	82-194-000	82-194-000	82-194-000	82-194-000
9	Packing, Plastic	Soft Goods	Synthetic / Graphite	2	82-485-004	82-485-004	82-485-004	82-485-004
10	Washer, Modified	Soft Goods	Steel / Zinc Coated	2	82-217-9221	82-217-9221	82-217-9221	82-217-9221
11	Ring, Back Up	Soft Goods	NYLON	4	82-185-8612	82-185-8612	82-185-8612	82-185-8612
12	Ring, Plastic Energizing	Soft Goods	Nitrile 60A	2	82-640-4481	82-640-4481	82-640-4481	82-640-4481
13	O-Ring, Operating Cylinder	Soft Goods	Nitrile 90A	2	82-184-9292	82-184-9292	82-184-9292	82-184-9292
14	O-Ring, Operating Piston Rod to Int Flng	Soft Goods	Nitrile 80A	2	82-640-3750	82-640-3750	82-640-3750	82-640-3750
15	Lip Seal, Operating Piston	Soft Goods	Polyurethane 93A / Nitrile 70A	2	82-485-003	82-485-003	82-485-003	82-485-003
16	Ring, Retainer	Soft Goods	Stainless Steel	2	17-080-035	17-080-035	17-080-035	17-080-035
17	Wear Ring, Operating Piston	Soft Goods	Green Polymer-Filled PTFE	2	82-1906012	82-1906012	82-1906012	82-1906012
18	Seal, Bonnet	Soft Goods	Nitrile 80A / 8620 Steel	2	95-077B-500A	95-077B-500A	95-077B-500A	95-077B-500A
19	Tail Rod Seal Ring	Soft Goods	Nitrile 80A	2	82-124-6936	82-124-6936	82-124-6936	82-124-6936
20	Ring, Plastic Packing	Soft Goods	Nitrile-Fabric 75-80A	2	82-640-3291	82-640-3291	82-640-3291	82-640-3291
21	Pipe Plug	Hard Goods	Low-Carbon Steel	2	15-010-150	15-010-150	15-010-150	15-010-150
22	Screw	Hard Goods	Steel	2	26-014-350	26-014-350	26-014-350	26-014-350
23	Check Valve	Hard Goods	Steel / Zinc Cobalt Coated	2	26-016-001	26-016-001	26-016-001	26-016-001
24	Bleeder Gland	Hard Goods	Stainless Steel	2	26-012-051	26-012-051	26-012-051	26-012-051
25	Bleeder Plug	Hard Goods	Stainless Steel	2	26-016-052	26-016-052	26-016-052	26-016-052

7-1/16" RAM FORGED IU™ BOP – TANDEM BOOSTER SEAL KIT BREAKDOWN

Complete Kit Part Number: 95-0702232403-TB-CRK | Re-builds One Cavity (two Tandem Boosters)

Item	Seal Description	Type	Material	Qty	7-1/16" – 3K Part Number	7-1/16" – 5K Part Number	7-1/16" – 10K Part Number	7-1/16" – 15K Part Number
1	THREADED O-RING	Soft Goods	Nitrile 90A	4	95-077B-2249	95-077B-2249	95-077B-2249	95-077B-2249
2	TAIL ROD O-RING	Soft Goods	Nitrile 90A	4	95-077B-2331	95-077B-2331	95-077B-2331	95-077B-2331
3	CYLINDER O-RING	Soft Goods	Nitrile 90A	4	95-077B-2370	95-077B-2370	95-077B-2370	95-077B-2370
4	THREADED SEAL RING	Soft Goods	Polyurethane 93A / Nitrile 70A	8	95-077B-500U	95-077B-500U	95-077B-500U	95-077B-500U
5	PISTON SEAL RING	Soft Goods	Polyurethane 93A / Nitrile 70A	4	95-077B-375B	95-077B-375B	95-077B-375B	95-077B-375B
6	THREADED SEAL RING	Soft Goods	Polyurethane 93A / Nitrile 70A	4	95-077B-375U	95-077B-375U	95-077B-375U	95-077B-375U
7	WEAR BAND	Soft Goods	Green Polymer-Filled PTFE	4	95-077B-04WB	95-077B-04WB	95-077B-04WB	95-077B-04WB
8	Wear Ring, Operating Piston	Soft Goods	Green Polymer-Filled PTFE	4	95-077B-05WB	95-077B-05WB	95-077B-05WB	95-077B-05WB
9	TAIL ROD SEAL RING	Soft Goods	Nitrile 80A	4	95-077B-500A	95-077B-500A	95-077B-500A	95-077B-500A
10	1/2" NPT FILTER/MUFFLER	Hard Goods	Electroless Nickel Plated Steel	2	95-077B-0010	95-077B-0010	95-077B-0010	95-077B-0010
11	Bent Tubing	Hard Goods	Electroless Nickel Plated Steel	2	26-016-072	26-016-072	26-016-072	26-016-072
12	1/2" Elbow NPT SS	Hard Goods	Electroless Nickel Plated Steel	2	26-016-067	26-016-067	26-016-067	26-016-067
13	1/2" NPT MIXT SS	Hard Goods	Electroless Nickel Plated Steel	2	15-010-200	15-010-200	15-010-200	15-010-200

**INTEGRATED OEM API 16A MONOGRAMMED
TYPE IU™ RAM BLOWOUT PREVENTER**

11" RAM FORGED IU™ BOP – STANDARD BONNET SEAL KIT BREAKDOWN

Complete Kit Part Number: 95-116449092-SB-CRK | Re-builds One Cavity (two Standard Bonnet Operators)

Item	Seal Description	Type	Material	Qty	11" – 3K Part Number	11" – 5K Part Number	11" – 10K Part Number
1	Bonnet Seal	Soft Goods		2	82-906-013	82-906-013	82-906-013
2	Plastic Packing Ring	Soft Goods		2	82-124-6938	82-124-6938	82-124-6938
3	Plastic Energizing Ring	Soft Goods		2	82-185-8613	82-185-8613	82-185-8613
4	Operating Piston Rod to Int Flng O-ring	Soft Goods	Buna 90	2	82-184-291	82-184-291	82-184-291
5	Operating Piston O-ring	Soft Goods	Buna 90	2	17-110-110	17-110-110	17-110-110
6	Operating Piston Lip Seal	Soft Goods		2	82-710-539	82-710-539	82-710-539
7	Tail Rod Seal Ring	Soft Goods		2	82-117-4133	82-117-4133	82-117-4133
8	Connecting Rod Ring	Soft Goods		2	82-117-4138	82-117-4138	82-117-4138
9	Ram Change Piston to Bonnet O-ring	Soft Goods	Buna 90	4	82-640-3451	82-640-3451	82-640-3451
10	Operating Cylinder O-ring	Soft Goods	Buna 90	4	82-640-4511	82-640-4511	82-640-4511
11	Wiping O-Ring for Bonnet	Soft Goods	Buna 90	2	82-640-3352	82-640-3352	82-640-3352
12	Ram Change Piston to Int Flng O-ring	Soft Goods	Buna 90	4	82-640-3311	82-640-3311	82-640-3311
13	Ram Change Cylinder to Int Flng O-ring	Soft Goods	Buna 90	4	82-640-3411	82-640-3411	82-640-3411
14	Ram Change Piston to Body	Soft Goods	Buna 90	4	82-640-3261	82-640-3261	82-640-3261
15	Ram Change Piston O-ring	Soft Goods	Buna 90	4	82-640-3351	82-640-3351	82-640-3351
16	Back Up Ring	Soft Goods		4	82-219-7222	82-219-7222	82-219-7222
17	Washer Modified	Soft Goods		2	82-485-002	82-485-002	82-485-002
18	Retainer Ring	Soft Goods		2	82-485-001	82-485-001	82-485-001
19	Wear Band Op Piston	Soft Goods		2	82-11U-WB	82-11U-WB	82-11U-WB
20	O-ring Bonnet Bolt Retainer 3k	Soft Goods	Buna 90	8	82-645-271	82-645-271	82-645-271
21	O-ring Bonnet Bolt Retainer 5k	Soft Goods	Buna 90	8	82-645-291	82-645-291	82-645-291
22	O-ring Bonnet Bolt Retainer 10k	Soft Goods	Buna 90	8	82-645341	82-645341	82-645341
23	Stick Packing	Soft Goods		2	82-194-000	82-194-000	82-194-000
24	Pipe Plug	Hard Goods		2	15-010-150	15-010-150	15-010-150
25	Screw	Hard Goods		2	26-014-350	26-014-350	26-014-350
26	Check Valve	Hard Goods		2	26-016-001	26-016-001	26-016-001
27	Bleeder Gland	Hard Goods		2	26-012-051	26-012-051	26-012-051
28	Bleeder Plug	Hard Goods		2	26-016-052	26-016-052	26-016-052

11" RAM FORGED IU™ BOP – LARGE BORE BONNET SEAL KIT BREAKDOWN

Complete Kit Part Number: 95-11644860-LB-CRK | Re-builds One Cavity (two Large Bore Bonnet Operators)

Item	Seal Description	Type	Material	Qty	11" – 3K Part Number	11" – 5K Part Number	11" – 10K Part Number
1	Bonnet Seal	Soft Goods		2	82-906-013	82-906-013	82-906-013
2	Plastic Packing Ring	Soft Goods		2	82-124-6938	82-124-6938	82-124-6938
3	Plastic Energizing Ring	Soft Goods		2	82-185-8613	82-185-8613	82-185-8613
4	Operating Piston Rod to Int Flng O-ring	Soft Goods	Buna 90	2	82-184-291	82-184-291	82-184-291
5	Operating Piston O-ring	Soft Goods	Buna 90	2	17-110-110	17-110-110	17-110-110
6	Operating Piston Lip Seal LBS	Soft Goods		2	17-080-010	17-080-010	17-080-010
7	Tail Rod Seal Ring	Soft Goods		2	82-117-4133	82-117-4133	82-117-4133
8	Connecting Rod Ring	Soft Goods		2	82-117-4138	82-117-4138	82-117-4138
9	Ram Change Piston to Bonnet O-ring	Soft Goods	Buna 90	4	82-640-3451	82-640-3451	82-640-3451
10	Operating Cylinder O-ring	Soft Goods	Buna 90	4	17-100-117	17-100-117	17-100-117
11	Wiping O-Ring for Bonnet	Soft Goods	Buna 90	2	82-640-3352	82-640-3352	82-640-3352
12	Ram Change Piston to Int Flng O-ring	Soft Goods	Buna 90	4	82-640-3311	82-640-3311	82-640-3311
13	Ram Change Cylinder to Int Flng O-ring	Soft Goods	Buna 90	4	82-640-3411	82-640-3411	82-640-3411
14	Ram Change Piston to Body	Soft Goods	Buna 90	4	82-640-3261	82-640-3261	82-640-3261
15	Ram Change Piston O-ring	Soft Goods	Buna 90	4	82-640-3351	82-640-3351	82-640-3351
16	Back Up Ring	Soft Goods		4	82-219-7222	82-219-7222	82-219-7222
17	Washer Modified	Soft Goods		2	82-485-002	82-485-002	82-485-002
18	Retainer Ring	Soft Goods		2	82-485-001	82-485-001	82-485-001
19	Wear Band Op Piston Large Bore	Soft Goods		2	17-080-015	17-080-015	17-080-015
20	O-ring Bonnet Bolt Retainer 3k	Soft Goods	Buna 90	8	82-645-271	82-645-271	82-645-271
21	O-ring Bonnet Bolt Retainer 5k	Soft Goods	Buna 90	8	82-645-291	82-645-291	82-645-291
22	O-ring Bonnet Bolt Retainer 10k	Soft Goods	Buna 90	8	82-645341	82-645341	82-645341
23	Stick Packing	Soft Goods		2	82-194-000	82-194-000	82-194-000
24	Pipe Plug	Hard Goods		2	15-010-150	15-010-150	15-010-150
25	Screw	Hard Goods		2	26-014-350	26-014-350	26-014-350
26	Check Valve	Hard Goods		2	26-016-001	26-016-001	26-016-001
27	Bleeder Gland	Hard Goods		2	26-012-051	26-012-051	26-012-051
28	Bleeder Plug	Hard Goods		2	26-016-052	26-016-052	26-016-052

11" RAM FORGED IU™ BOP – TANDEM BOOSTER SEAL KIT BREAKDOWN

Complete Kit Part Number: 95-11132164148-TB-CRK | Re-builds One Cavity (two Tandem Boosters)

Item	Seal Description	Type	Material	Qty	11" – 3K Part Number	11" – 5K Part Number	11" – 10K Part Number
1	Lip Seal, Cylinder Head	Soft Goods		2	17-080-013	17-080-013	17-080-013
2	Threaded Piston Seal Ring	Soft Goods		2	17-080-012	17-080-012	17-080-012
3	Wear Band Tail Rod	Soft Goods		2	17-080-014	17-080-014	17-080-014
4	Tail Rod Seal Ring	Soft Goods		2	17-080-011	17-080-011	17-080-011
5	Piston Wear Band	Soft Goods		2	17-080-016	17-080-016	17-080-016
6	O-Ring, Cylinder Head	Soft Goods		2	17-100-115	17-100-115	17-100-115
7	O-Ring, Cylinder	Soft Goods		2	17-100-116	17-100-116	17-100-116
8	1/2" NPT Filter / Muffler	Hard Goods		2	95-077B-0010	95-077B-0010	95-077B-0010
9	Bent Tubing	Hard Goods		2	26-016-072	26-016-072	26-016-072
10	1/2" Elbow NPT SS	Hard Goods		2	26-016-067	26-016-067	26-016-067
11	1/2" NPT MXT SS	Hard Goods		2	15-010-200	15-010-200	15-010-200

**INTEGRATED OEM API 16A MONOGRAMMED
TYPE IU™ RAM BLOWOUT PREVENTER**

13-5/8" RAM FORGED IU™ BOP – STANDARD BONNET SEAL KIT BREAKDOWN

Complete Kit Part Number: 95-136449092-SB-CRK | Re-builds One Cavity (two Standard Bonnet Operators)

Item	Seal Description	Type	Material	Qty	13-5/8" – 3K Part Number	13-5/8" – 5K Part Number	13-5/8" – 10K Part Number
1	Plastic Packing Ring	Soft Goods		2	17-080-051	17-080-051	17-080-051
2	Plastic Energizing Ring	Soft Goods		2	17-080-052	17-080-052	17-080-052
3	Connecting Rod Lip Seal	Soft Goods		2	17-080-053	17-080-053	17-080-053
4	Back Up Ring	Soft Goods		4	17-080-054	17-080-054	17-080-054
5	Bonnet Seal	Soft Goods		2	17-080-067	17-080-067	17-080-067
6	Operating Cylinder O-ring	Soft Goods		4	17-110-113	17-110-113	17-110-113
7	Operating Piston Rod to Int Flng O-ring	Soft Goods		2	17-140-100	17-140-100	17-140-100
8	Operating Piston Lip Seal	Soft Goods		2	17-091-011	17-091-011	17-091-011
9	Tail Rod Seal Ring	Soft Goods		2	17-080-056	17-080-056	17-080-056
10	Wiping O-ring	Soft Goods		2	17-100-121	17-100-121	17-100-121
11	Ram Change Piston to Body Ring O-ring	Soft Goods		4	17-100-119	17-100-119	17-100-119
12	"X" Style O-ring Ram Change to Int Flng	Soft Goods		4	17-080-057	17-080-057	17-080-057
13	Ram Change Cylinder to Int Flng O-ring	Soft Goods		4	17-100-120	17-100-120	17-100-120
14	Ram Change Cylinder to Bonnet O-ring	Soft Goods		4	17-110-112	17-110-112	17-110-112
15	"X" Style O-ring Ram Change Piston	Soft Goods		4	17-080-058	17-080-058	17-080-058
16	O-ring Bonnet Bolt Retainer 3M	Soft Goods		8	17-090-118	17-090-118	17-090-118
17	O-ring Bonnet Bolt Retainer 5M	Soft Goods		8	17-090-117	17-090-117	17-090-117
18	O-ring Bonnet Bolt Retainer 10M	Soft Goods		8	17-090-116	17-090-116	17-090-116
19	Stick Packing	Soft Goods		2	17-080-059	17-080-059	17-080-059
20	Washer Modified	Soft Goods		2	17-080-064	17-080-064	17-080-064
21	Retainer Ring	Soft Goods		2	17-080-061	17-080-061	17-080-061
22	Wear Band	Soft Goods		2	17-080-062	17-080-062	17-080-062
23	Wear Ring, Ram Change Piston, Nose	Soft Goods		4	17-080-062	17-080-062	17-080-062
24	Wear Ring, Ram Change Piston Head	Soft Goods		4	17-080-062	17-080-062	17-080-062
25	Plastic Packing Ring	Soft Goods		2	17-080-051	17-080-051	17-080-051
26	Pipe Plug	Hard Goods		2	30-000004	30-000004	30-000004
27	Screw	Hard Goods		2	26-014-358	26-014-358	26-014-358
28	Check Valve	Hard Goods		2	26-016-001	26-016-001	26-016-001
29	Bleeder Gland	Hard Goods		2	26-012-051	26-012-051	26-012-051
30	Bleeder Plug	Hard Goods		2	26-016-052	26-016-052	26-016-052

13-5/8" RAM FORGED IU™ BOP – LARGE BORE BONNET SEAL KIT BREAKDOWN

Complete Kit Part Number: 95-13644860-LB-CRK | Re-builds One Cavity (two Large Bore Bonnet Operators)

Item	Seal Description	Type	Material	Qty	13-5/8" – 3K Part Number	13-5/8" – 5K Part Number	13-5/8" – 10K Part Number
1	Check Valve	Soft Goods		2	26-016-001	26-016-001	26-016-001
2	Screw	Soft Goods		2	26-014-358	26-014-358	26-014-358
3	Pipe Plug	Soft Goods		2	30-000004	30-000004	30-000004
4	Plastic Packing Ring	Soft Goods		2	17-080-051	17-080-051	17-080-051
5	Plastic Energizing Ring	Soft Goods		2	17-080-052	17-080-052	17-080-052
6	Connecting Rod Lip Seal	Soft Goods		2	17-080-053	17-080-053	17-080-053
7	Back Up Ring	Soft Goods		4	17-080-054	17-080-054	17-080-054
8	Bonnet Seal	Soft Goods		4	17-080-067	17-080-067	17-080-067
9	Operating Cylinder O-ring	Soft Goods		2	17-080-180	17-080-180	17-080-180
10	Operating Piston Rod to Int Flng O-ring	Soft Goods		2	17-140-100	17-140-100	17-140-100
11	Operating Piston Lip Seal	Soft Goods		2	17-140-341	17-140-341	17-140-341
12	Tail Rod Seal Ring	Soft Goods		2	17-080-056	17-080-056	17-080-056
13	Wiping O-ring	Soft Goods		2	17-100-121	17-100-121	17-100-121
14	Ram Change Piston to Body Ring O-ring	Soft Goods		4	17-100-119	17-100-119	17-100-119
15	"X" Style O-ring Ram Change to Int Flng	Soft Goods		4	17-080-057	17-080-057	17-080-057
16	Ram Change Cylinder to Int Flng O-ring	Soft Goods		4	17-100-120	17-100-120	17-100-120
17	Ram Change Cylinder to Bonnet O-ring	Soft Goods		4	17-110-112	17-110-112	17-110-112
18	"X" Style O-ring Ram Change Piston	Soft Goods		4	17-080-058	17-080-058	17-080-058
19	O-ring Bonnet Bolt Retainer 3M	Soft Goods		8	17-090-118	17-090-118	17-090-118
20	O-ring Bonnet Bolt Retainer 5M	Soft Goods		8	17-090-117	17-090-117	17-090-117
21	O-ring Bonnet Bolt Retainer 10M	Soft Goods		8	17-090-116	17-090-116	17-090-116
22	Bleeder Gland	Soft Goods		4	26-012-051	26-012-051	26-012-051
23	Bleeder Plug	Soft Goods		4	26-016-052	26-016-052	26-016-052
24	Stick Packing	Soft Goods		4	17-080-059	17-080-059	17-080-059
25	Washer Modified	Soft Goods		4	17-080-064	17-080-064	17-080-064
26	Retainer Ring	Soft Goods		4	17-080-061	17-080-061	17-080-061
27	Wear Ring, Operating Piston	Soft Goods		2	17-080-062	17-080-062	17-080-062
28	Wear Ring, Ram Change Piston Nose	Soft Goods		4	17-080-062	17-080-062	17-080-062
29	Wear Ring, Ram Change Piston Head	Soft Goods		4	17-080-062	17-080-062	17-080-062
30	Check Valve	Soft Goods		2	26-016-001	26-016-001	26-016-001
31	Pipe Plug	Hard Goods		2	30-000004	30-000004	30-000004
32	Screw	Hard Goods		2	26-014-358	26-014-358	26-014-358
33	Check Valve	Hard Goods		2	26-016-001	26-016-001	26-016-001
34	Bleeder Gland	Hard Goods		2	26-012-051	26-012-051	26-012-051
35	Bleeder Plug	Hard Goods		2	26-016-052	26-016-052	26-016-052

13-5/8" RAM FORGED IU™ BOP – TANDEM BOOSTER SEAL KIT BREAKDOWN

Complete Kit Part Number: 95-11132164148-TB-CRK | Re-builds One Cavity (two Tandem Boosters)

Item	Seal Description	Type	Material	Qty	13-5/8" – 3K Part Number	13-5/8" – 5K Part Number	13-5/8" – 10K Part Number
1	Lip Seal, Cylinder Head	Soft Goods		2	17-080-098	17-080-098	17-080-098
2	Threaded Piston Seal Ring	Soft Goods		2	17-080-102	17-080-102	17-080-102
3	Wear Band Tail Rod	Soft Goods		2	17-080-109	17-080-109	17-080-109
4	Tail Rod Seal Ring	Soft Goods		2	17-080-111	17-080-111	17-080-111
5	Piston Wear Band	Soft Goods		2	17-080-028	17-080-028	17-080-028
6	O-Ring, Cylinder Head	Soft Goods		2	17-100-124	17-100-124	17-100-124
7	O-Ring, Cylinder	Soft Goods		2	17-100-122	17-100-122	17-100-122
8	1/2" NPT Filter / Muffler	Hard Goods		2	95-077B-0010	95-077B-0010	95-077B-0010
9	Bent Tubing	Hard Goods		2	26-016-072	26-016-072	26-016-072
10	1/2" Elbow NPT SS	Hard Goods		2	26-016-067	26-016-067	26-016-067
11	1/2" NPT MXT SS	Hard Goods		2	15-010-200	15-010-200	15-010-200

**INTEGRATED OEM API 16A MONOGRAMMED
TYPE IU™ RAM BLOWOUT PREVENTER**
**IU™ 7-1/16" - 3 | 15K (U Style)
RAM ASSEMBLY | RAM BLOCKS | FRONT PACKERS | TOP SEALS**

IU™ CSO AND PIPE RAMS

IU™ Ram Block Size	IU™ Assembly Part Number	IU™ Assembly Sub-Component Part Number		
		Block	Safety Front Packer	Top Seal
CSO	70-0705-00241	70-0705-00232	70-0703-00009	70-0703-00029
2-3/8"	70-0705-00242	70-0705-00233	70-0703-00010	70-0703-00029
2-7/8"	70-0705-00226	70-0705-00212	70-0703-00011	70-0703-00029
3-1/2"	70-0705-00248	70-0705-00234	70-0703-00012	70-0703-00029
4"	70-0705-00244	70-0705-00235	70-0703-00013	70-0703-00029
4-1/2"	70-0705-00245	70-0705-00236	70-0703-00014	70-0703-00029
5"	70-0705-00246	70-0705-00237	70-0703-00015	70-0703-00029
5-1/2"	70-0705-00247	70-0705-00238	70-0703-00016	70-0703-00029

IU™ STRIPPER FRONT PACKER & INSERTS

IU™ STRIPPER Front PACKER SIZE	Stripper Front Packer Part Number		Stripper Insert	
	Screw Style	Insert Pin Style	Standard Temperature (UHMW)	High Temperature (Teflon-M)
2-3/8"	70-0703-00017	70-0703-00017-I	70-0703-00023	70-0703-00023-HT
2-7/8"	70-0703-00018	70-0703-00018-I	70-0703-00024	70-0703-00024-HT
3-1/2"	70-0703-00019	70-0703-00019-I	70-0703-00025	70-0703-00025-HT

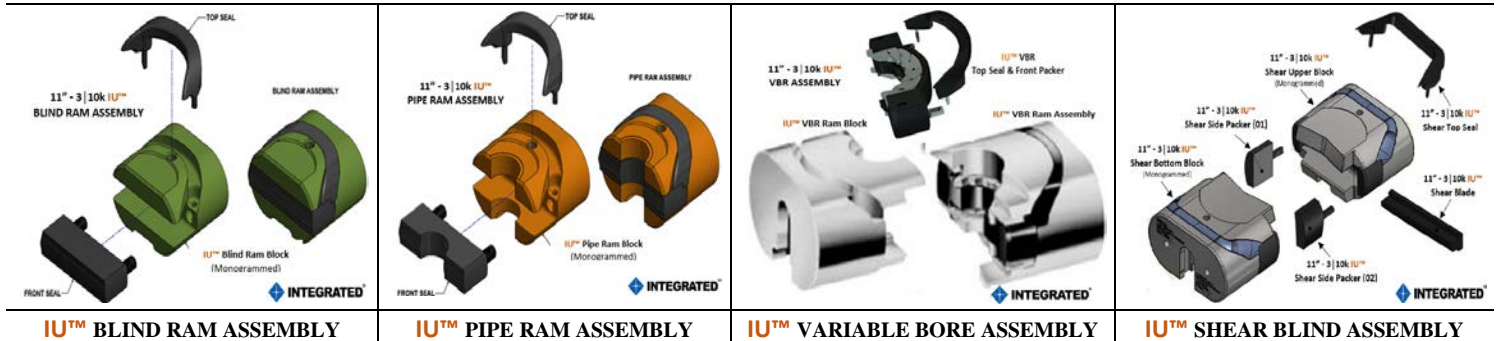
IU™ VARIABLE BORE RAM (VBR)

IU™ Ram Block Size	IU™ Assembly Part Number	IU™ Assembly Sub-Component Part Number		
		Block	Front Packer	Top Seal
2-3/8" to 3-1/2"	70-0705-00248	70-0705-00239	95-0710000-V-03	70-0703-00029-V
2-7/8" to 4"	70-0705-00249	70-0705-00240	95-0710000-V-04	70-0703-00029-V

**IU™ SHEAR BLIND RAM (SBR)
Assembly Part Number: 70-0705-00228**

IU™ Part Description	IU™ Assembly Sub-Component Part Number					
	Top Block	Bottom Block	Blade Packer w/ Side Packers - Combo	Top Seal	Right Side Packer	Left Side Packer
SBR	70-0705-00213	70-0705-00214	95-07100023-BP	70-0703-00029	95-07100023-SP-01	95-07100023-SP-02

*Note: In the 7-1/16" – 3/15k IU™ Style, the Top Seal is the same for CSO, all pipe sizes and SBR
The 7-1/16" – 3/15k IU™ Style, the VBR has its own Top Seal*

**INTEGRATED OEM API 16A MONOGRAMMED
TYPE IU™ RAM BLOWOUT PREVENTER**
**IU™ 11" - 3 | 10K (U Style)
RAM ASSEMBLY | RAM BLOCKS | FRONT PACKERS | TOP SEALS**

IU™ CSO AND PIPE RAMS

IU™ Ram Block Size	IU™ Assembly Part Number	IU™ Assembly Sub-Component Part Number		
		Block	Front Packer	Top Seal
CSO	95-1110101	95-1110001	95-111002	95-111000
2-3/8"	95-1110101-2	95-1110001-2	95-1110002-2	95-111000
2-7/8"	95-1110101-3	95-1110001-3	95-1110002-3	95-111000
3-1/2"	95-1110101-5	95-1110001-5	95-1110002-5	95-111000
4"	95-1110101-6	95-1110001-6	95-1110002-6	95-111000
4-1/2"	95-1110101-7	95-1110001-7	95-1110002-7	95-111000
5"	95-1110101-8	95-0710001-8	95-1110002-8	95-111000
5-1/2"	95-1110101-9	95-1110001-9	95-1110002-9	95-111000
6-5/8"	95-1110101-10	95-1110001-10	95-1110002-10	95-111000
7"	95-1110101-11	95-1110001-11	95-1110002-11	95-111000
7-5/8"	95-1110101-12	95-1110001-12	95-1110002-12	95-111000
8-5/8"	95-1110101-13	95-1110001-13	95-1110002-13	95-111000
9-5/8"	95-1110101-14	95-1110001-14	95-1110002-14	95-111000

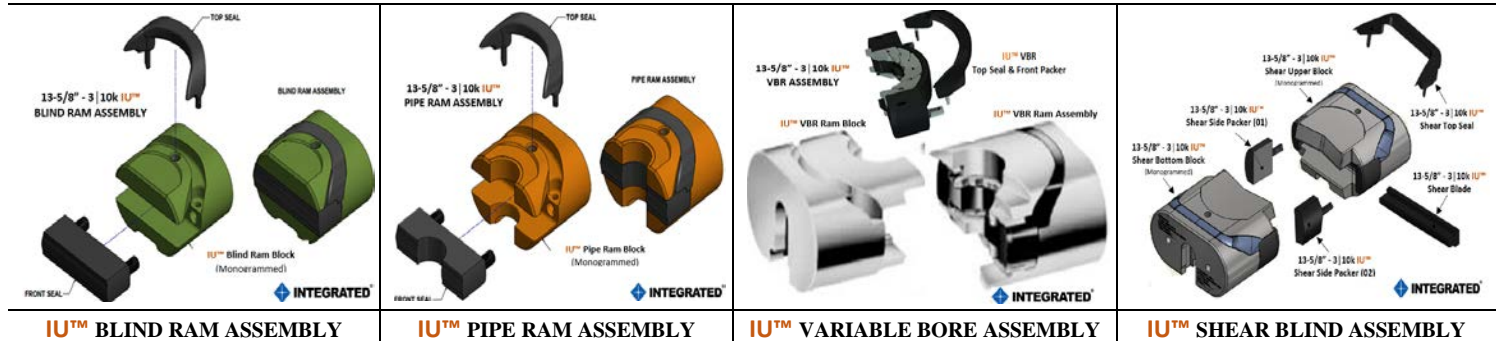
IU™ VARIABLE BORE RAM (VBR)

IU™ VBR Size	IU™ Assembly Part Number	IU™ Assembly Sub-Component Part Number		
		Block	Front Packer	Top Seal
2-7/8" to 5"	95-1110000-VK	95-111000-V1	95-1110000-V-03	95-111000
3-1/2" to 5-1/2"	95-1110000-VK1	95-111000-V2	95-1110000-V-05	95-111000

IU™ SHEAR BLIND RAM (SBR)
Assembly Part Number: 95-1110100

IU™ Part Description	IU™ Assembly Sub-Component Part Number					
	Top Block	Bottom Block	Blade Packer	Top Seal	Right Side Packer	Left Side Packer
SBR	95-1110002	95-1110003	95-11100023-BP	95-111000	95-11100023-SP-01	95-11100023-SP-02

Note: For 11" – 3/10k IU™ Style, the Top Seal is the same for the CSO, all Pipe Sizes, VBR and SBR

**INTEGRATED OEM API 16A MONOGRAMMED
TYPE IU™ RAM BLOWOUT PREVENTER**
**IU™ 13-5/8" - 3 | 10K (U Style)
RAM ASSEMBLY | RAM BLOCKS | FRONT PACKERS | TOP SEALS**

IU™ CSO AND PIPE RAMS

IU™ Ram Block Size	IU™ Assembly Part Number	IU™ Assembly Sub-Component Part Number		
		Block	Front Packer	Top Seal
CSO	70-1303-00026	70-1303-00004	70-1303-00027	70-1303-00022
2-3/8"	70-1303-00092	70-1303-00028	70-1303-00041	70-1303-00022
2-7/8"	70-1303-00093	70-1303-00029	70-1303-00042	70-1303-00022
3-1/2"	70-1303-00094	70-1303-00030	70-1303-00043	70-1303-00022
4"	70-1303-00095	70-1303-00031	70-1303-00044	70-1303-00022
4-1/2"	70-1303-00096	70-1303-00032	70-1303-00045	70-1303-00022
5"	70-1303-00097	70-1303-00033	70-1303-00046	70-1303-00022
5-1/2"	70-1303-00089	70-1303-00034	70-1303-00047	70-1303-00022
6-5/8"	70-1303-00098	70-1303-00098	70-1303-00049	70-1303-00022
7"	70-1303-00023	70-1303-00013	70-1303-00020	70-1303-00022
7-5/8"	70-1303-00099	70-1303-00036	70-1303-00050	70-1303-00022
8-5/8"	70-1303-00100	70-1303-00037	70-1303-00051	70-1303-00022
9-5/8"	70-1303-00101	70-1303-00090	70-1303-00021	70-1303-00022

IU™ VARIABLE BORE RAM (VBR)

IU™ VBR Size	IU™ Assembly Part Number	IU™ Assembly Sub-Component Part Number		
		Block	Front Packer	Top Seal
2-7/8" to 5"	70-1303-00019	70-1303-00009	70-1303-00017	70-1303-00022-V
3-1/2" to 5-1/2"	70-1303-00104	70-1303-00091	70-1303-00017	70-1303-00022-V
4-1/2" to 7"	70-1303-00018	70-1303-00008	70-1303-00016	70-1303-00022-V

**IU™ SHEAR BLIND RAM (SBR)
Assembly Part Number: 95-1303-00010**

IU™ Part Description	IU™ Assembly Sub-Component Part Number					
	Top Block	Bottom Block	Blade Packer	Top Seal	Right Side Packer	Left Side Packer
SBR	70-1303-00007	70-1303-00006	95-1310023-BP	70-1303-00022	95-1310023-SP-01	95-1310023-SP-02

Note: For 13-5/8" – 3/10k IU™ Style, the Top Seal is the same for the CSO, all Pipe Sizes and SBR

For 13-5/8" – 3/10k IU™, the VBR Front Packer for the 2-7/8" to 5", 3-1/2" to 5-1/2" are the same. The only difference is the ram block



GLOBAL DISTRIBUTION OF INTEGRATED MANUFACTURED PRESSURE CONTROL EQUIPMENT & ELASTOMERS
USA | Canada | Mexico | Colombia | Dubai | Singapore | Australia | Bahrain

INTEGRATED®

GLOBAL HEADQUARTERS

5701 Brittmoore Road, Houston, Texas 77041 USA

Contact: 713-785-7075 | Fax: 713-785-7099 | Email: sales@integratedwww.com | Website: integratedwww.com

INTEGRATED ELASTOMERS® USA

OEM ELASTOMER MANUFACTURING PLANT

31811 Industrial Park Drive, Pinehurst, Texas 77362 USA

INTEGRATED EQUIPMENT® WEST TEXAS USA

DISTRIBUTION FACILITY

13020 Hwy 191 – Suite H, Midland, Texas 79707 USA

INTEGRATED EQUIPMENT® LIMITED

OEM EQUIPMENT MANUFACTURING PLANT

Pune-Nagar Highway, Kondhapuri, Pune 412209

❖ Australia ARLF (Authorized Repair License Facility) & Distribution

Well Control Solutions (WCS)

24 Enterprise Street, Richlands, QLD 4077

Contact: +61-7-3375-4388 | Email: sales@well-control.com.au



❖ Canada ARLF (Authorized Repair License Facility) & Distribution

Red Deer Well Control (RDWC)

6670 – 53rd Avenue, Unit #B, Edmonton, Alberta T6B 3H8

Contact: +780-466-3149 | Email: aspalding@rdwc.com

