



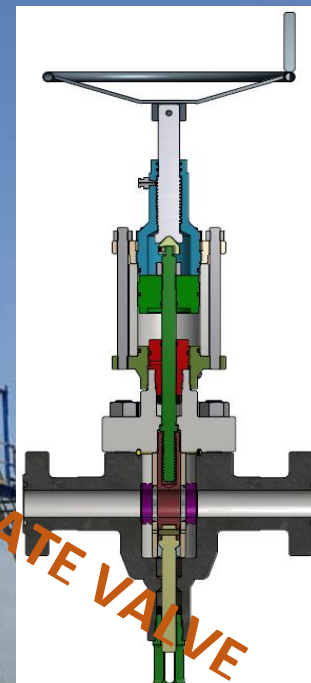
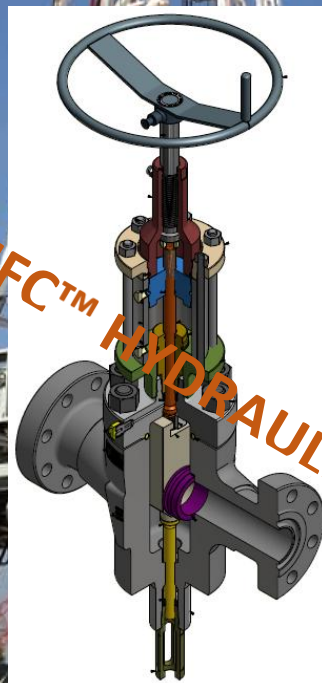
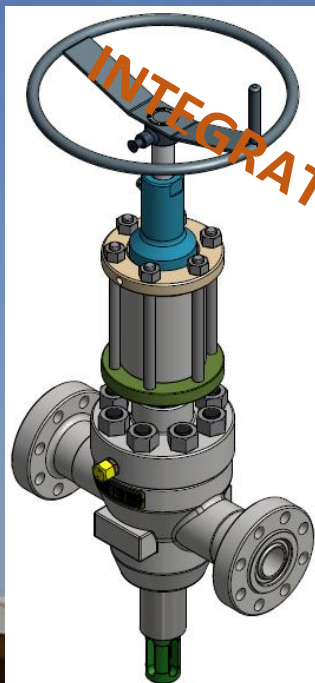
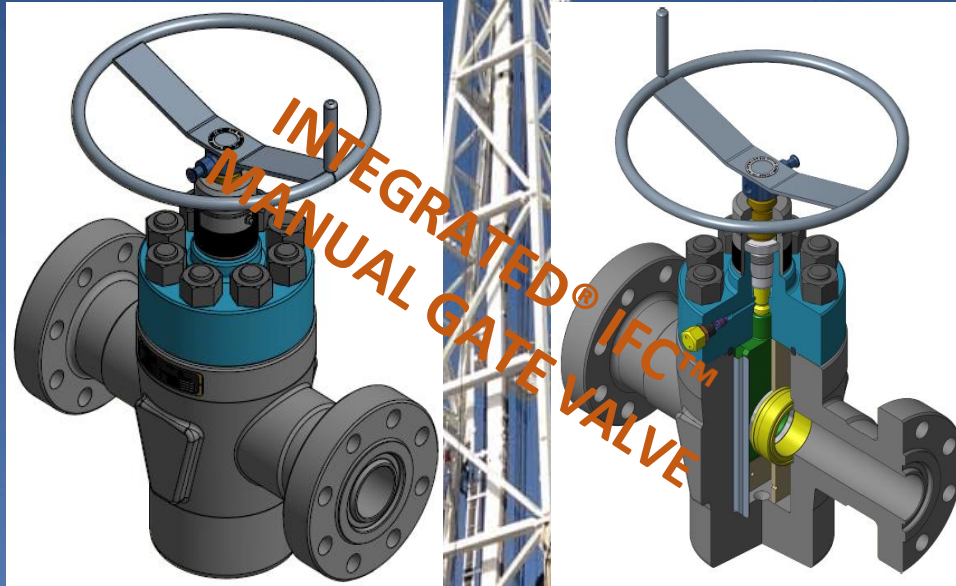
INTEGRATED[®]

OEM IFC[™] GATE VALVE

CATALOG

INTEGRATED[®]

is an established OEM manufacturer of API 6A Monogrammed IFC[™] Manual and Hydraulic Operated Gate Valves for use in Pressure Control Equipment. INTEGRATED[®] IFC[™] is a field proven valve which provide reliability and industry interchangeability.



INTEGRATED[®] is an API licensed Original Equipment Manufacturer (OEM) of Pressure and Flow Control Equipment for the Global Drilling, Workover, Snubbing, Rental and Production sectors of the Oil and Gas Industry

INTEGRATED[®] holds the following Manufacturing Licenses & Certifications:

API 6A | API 16A | API 16AR | API 16C | API 20E (BSL 1,2 &3) | ASME U | CRN | NATIONAL BOARD | API Q1 (10th Edition) | ISO-9001-2015

PRODUCT INDEX

1 GENERAL INFORMATION	Page No.
➤ INTEGRATED® Manufactured API Monogrammed Pressure and Flow Control Equipment and Products	3
2 1/13/16” – 10k IFCT™ GATE VALVE (INTEGRATED® API 6A Monogrammed)	
➤ Operator: Manual Part Numbers and Dimensions & Weights	4
➤ Manual Valve: Minor Repair Kit Major Repair Kit	5
3 2-1/16” – 5k IFCT™ GATE VALVE (INTEGRATED® API 6A Monogrammed)	
➤ Operator: Manual Part Numbers and Dimensions & Weights	4
➤ Manual Valve: Minor Repair Kit Major Repair Kit	5
4 2-1/16” – 10k IFCT™ GATE VALVE (INTEGRATED® API 6A Monogrammed)	
➤ Operator: Manual Part Numbers and Dimensions & Weights	4
➤ Operator: Hydraulic Part Numbers and Dimensions & Weights	5
➤ Manual Valve: Minor Repair Kit Major Repair Kit	5
➤ Hydraulic Valve: Minor Repair Kit Major Repair Kit	5
5 3-1/8” – 5k IFCT™ GATE VALVE (INTEGRATED® API 6A Monogrammed)	
➤ Operator: Manual Part Numbers and Dimensions & Weights	4
➤ Operator: Hydraulic Part Numbers and Dimensions & Weights	5
➤ Manual Valve: Minor Repair Kit Major Repair Kit	5
➤ Hydraulic Valve: Minor Repair Kit Major Repair Kit	5
6 3-1/16” – 10k IFCT™ GATE VALVE (INTEGRATED® API 6A Monogrammed)	
➤ Operator: Manual Part Numbers and Dimensions & Weights	4
➤ Operator: Hydraulic Part Numbers and Dimensions & Weights	5
➤ Manual Valve: Minor Repair Kit Major Repair Kit	5
➤ Hydraulic Valve: Minor Repair Kit Major Repair Kit	5
7 4-1/16” – 5k IFCT™ GATE VALVE (INTEGRATED® API 6A Monogrammed)	
➤ Operator: Manual Part Numbers and Dimensions & Weights	4
➤ Operator: Hydraulic Part Numbers and Dimensions & Weights	5
➤ Manual Valve: Minor Repair Kit Major Repair Kit	5
➤ Hydraulic Valve: Minor Repair Kit Major Repair Kit	5
8 4-1/16” – 10k IFCT™ GATE VALVE (INTEGRATED® API 6A Monogrammed)	
➤ Operator: Manual Part Numbers and Dimensions & Weights	4
➤ Operator: Hydraulic Part Numbers and Dimensions & Weights	5
➤ Manual Valve: Minor Repair Kit Major Repair Kit	5
➤ Hydraulic Valve: Minor Repair Kit Major Repair Kit	5
9 INTEGRATED® CONTACT INFORMATION	
➤ Locations Address	7
➤ Contact Phone Number	7
➤ Contact Email Address	7
➤ Website	7
➤ INTEGRATED® Licenses & Certifications	7

**INTEGRATED® ORIGINAL EQUIPMENT MANUFACTURE (OEM)
API Monogrammed Equipment & Product - Licenses and Certifications**

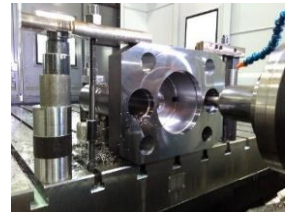
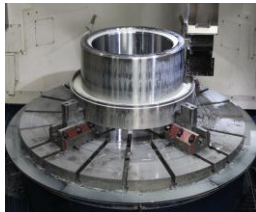
API 6A-0851 | API 16A-0197 | API 16AR-0015 | API 16C-0564 | API 20E-0087 | ASME U-59670 | CRN (Canadian)
API Q1-4952 (10th Edition) | ISO 9001:2015-RQ91/4505 | ISO 9001:2015 188908-2015-AQ-USA-ANAB | ISO 9001:2015 188908-2015-AQ-USA-ANAB-CCI

API 6A	API 6A	API 16A	API 16A	API 16C	API 20E	ASME U	API 16AR	API Q1 / ISO
PRESSURE CONTROL VALVES	PRESSURE MANIFOLDS WELLHEAD COMPONENTS	BLOWOUT PREVENTERS (RAM BOPS)	BLOWOUT PREVENTERS (ANNULAR BOPS)	WELL CONTROL CHOKES & BUFFER TANKS	EQUIPMENT BOLTING (BSL)	PULSATION DAMPENERS (PD)	REMANUFACTURING (Recertification)	EQUIPMENT & ELASTOMERS
IFC™ (Slab Gate Valve) 2-1/16" to 4-1/16"	Choke & Kill Manifolds	IU™ Ram Forged BOP Single Double Shear & Non-Shear 7-1/16" to 21-1/4"	ISA™ Spherical Annular Forged BOP Studded Top x Flanged Bottom 7-1/16" to 21-1/4"	Well Control Chokes Positive Choke Adjustable Choke	Ram & Annular BOP Bolting (BSL1, 2 & 3)	IDDP™ Drilling Pulsation Damper 10 & 20 GALLON Up to 7,500 psi	Ram & Annular BOP Repair and/or Remanufacture All Major Brands	Certified Quality Management System (QMS)
IFLS™ (Slab Gate Valve) 2-1/16" to 7-1/16"	Standpipe & Managed Pressure Drilling Manifolds	IWS™ Ram Forged BOP Single Double 7-1/16" to 13-5/8"	IK™ Annular Forged BOP Studded Top x Flanged Bottom 7-1/16" to 13-5/8" & 22" - MSP	Well Control Choke Actuators	Valve Bolting	IPPT™ Production Pulsation Damper 1 to 20 GALLON 285 to 6,180 psi	Choke & Kill Manifolds	Corporate ERP Manufacturing System (JDE)
AceFlow™ (Expanding Gate Valve) 2-1/16" to 4-1/16"	Cement Manifolds	IE™ Ram Forged BOP Single Double Triple 7-1/16" to 5"	ISA™ & IK™ Annular Spare Parts	Choke & Kill Manifold Buffer Cambers (tanks)	Pulsation Damper Bolting	Pulsation Damper Diaphragm & Kits	API Valves FC & FLS Styles	Global System to connect all Manufacturing, Distribution & Services
Surface Safety Valves (SSV) (PSL 2 & 3)	Kill Wing Valve Manifold	IWP™ Ram Forged BOP Single Double 9"	ISA™ & IK™ Packing Elements Natural (NR) Nitrile (NBR)		Customized Bolting	IDDP™ Drilling NBR HNBR FKM	Pulsation Dampeners Drilling & Production Only Major Brands	QMS for Pressure Control Elastomer Manufacturing as per API 16A
Ball Valves	Hydraulic Fail-Safe Surface Safety Valve Skid Manifold	IU™ Ram Blocks & Assemblies CSO, Pipe, VBR, IFlex™ & SBR	ISA™ & IK™ Seal Kits			IPPT™ Production NBR HNBR FKM Emaco Style PD45 PD55 PD55A NBR HNBR FKM PD Parts Stabilizers, Gaskets & Kits		
Plug Valves	Chokes	I70™ (IWS™) Ram Blocks Full Assemblies CSO, Pipe & Multi Ram						
Minor & Major Repair Kits	Tubing & Casing Spools	IE™ Ram Blocks Full Assemblies CSO, Pipe & IFlex™						
Ball Valves	Tubing & Casing Hangers	IWP™ Ram Blocks Full Assemblies CSO & Pipe						
	Adapter Spools	Ram Blocks - Forgings						
	Spacer Spools	IU™, IWS™, IE™ & IWP™ Ram Spare Parts						
	Cross-Over Connectors	Ram Elastomers Front Packers, Top Seals, VBR, IFlex™, SBR, Door Seal & Seal Kits						
	Tree Caps							
	Flanges							
	Blind, Companion & Test PE Seals							

INTEGRATED's API Certified – Licensed OEM plants provide state-of-the-art manufacturing of our Engineered-Designed Pressure Control Equipment and Elastomeric Products.



**INTEGRATED's
Oracle - JD
Edwards
Enterprise
Resource Planning
(ERP) system
integrates our
global
manufacturing,
distribution
facilities and
service centers**



IFC™ GATE VALVE SIZES AND SPECIFICATIONS

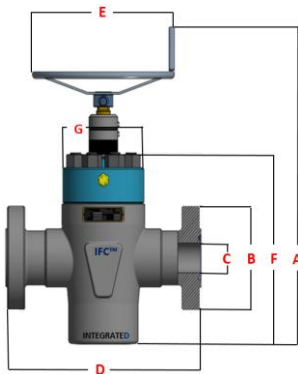
Part Number	Model	Valve Size (in)	Pressure Rating (psi)	Operator	Valve Body & Bonnet Material	Quality Level	Qualification Level	Material Class	Temperature Rating
64-161556100	FC	1-13/16	10,000	Manual	Forging	PSL 3	PR 1	EE - NL	P - U
62-152456100	FC	2-1/16	5,000	Manual	Forging	PSL 3	PR 1	DD - NL	P - U
64-152557100	FC	2-1/16	5,000	Manual	Forging	PSL 3	PR 1	EE - NL	P - U
64-162558100	IFC™	2-1/16	10,000	Manual	Forging	PSL 3	PR 2	EE - NL	P - U
64-162558100H	IFC™	2-1/16	10,000	Hydraulic	Forging	PSL 3	PR 2	EE - NL	P - U
64-155558100	IFC™	3-1/8	5,000	Manual	Forging	PSL 3	PR 2	EE - NL	P - U
64-155558100H	IFC™	3-1/8	5,000	Hydraulic	Forging	PSL 3	PR 2	EE - NL	P - U
64-164558100	IFC™	3-1/16	10,000	Manual	Forging	PSL 3	PR 2	EE - NL	P - U
64-164558100H	IFC™	3-1/16	10,000	Hydraulic	Forging	PSL 3	PR 2	EE - NL	P - U
64-156558100	IFC™	4-1/16	5,000	Manual	Forging	PSL 3	PR 2	EE - NL	P - U
64-156558100H	IFC™	4-1/16	5,000	Hydraulic	Forging	PSL 3	PR 2	EE - NL	P - U
64-166558100	IFC™	4-1/16	10,000	Manual	Forging	PSL 3	PR 2	EE - NL	P - U
64-166558100H	IFC™	4-1/16	10,000	Hydraulic	Forging	PSL 3	PR 2	EE - NL	P - U

IFC™ VALVE SPECIAL FEATURES

INTEGRATED® IFC™ is a field proven valve which provide reliability and interchangeability. Our IFC™ slab gate valve features a forged steel body and bonnet, non-rising stem with a floating slab gate & seat and a full-bore design

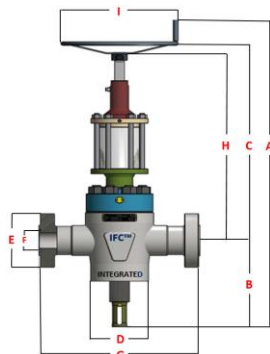
- Nitride coated Gate and Seats for better wear and abrasion resistance.
- Other coatings such as TC & Inconel are available upon request.
- Standard Ring Grooves and Seat Pockets.
- Inconel 625 Cladded Ring Grooves and Seat Pockets are available upon request.
- Inconel grease fittings for better performance and temperature endurance.
- MOS2 coated Stem for lower operating torques.
- Temperature Rating up to -50°F TO 350°F.
- Zinc or Cad Plated Bonnet Bolts and Nuts for better corrosion resistance.
- Interchangeable with Cameron FC Style Valve.

IFC™ VALVE DIMENSIONS AND WEIGHTS



IFC™ MANUAL GATE VALVES

Part Number	Valve Size	Pressure Rating	A (in)	B (in)	C (in)	D (in)	E (in)	F (in)	G (in)	Weight (lbs.)
64-161556100	1-13/16"	10k	28.33	7.38	1.81	18.25	17.74	13.66	9.06	246
62-152557100	2-1/16"	5k	27.74	8.50	2.06	14.62	14.00	12.53	6.90	166
64-162558100	2-1/16"	10k	27.73	7.88	2.06	20.50	17.75	13.39	9.38	256
64-155558100	3-1/8"	5k	32.12	10.50	3.12	18.62	17.75	18.48	9.25	376
64-164558100	3-1/16"	10k	32.54	10.62	3.06	24.38	17.75	20.11	10.13	496
64-156558100	4-1/16"	5k	35.35	12.25	4.06	21.62	17.75	21.08	10.81	556
64-166558100	4-1/16"	10k	37.60	12.44	4.06	26.38	17.75	24.13	10.62	877



IFC™ HYDRAULIC GATE VALVES

Part Number	Valve Size	Pressure Rating	A (in)	B (in)	C (in)	D (in)	E (in)	F (in)	G (in)	H (in)	I (in)	Weight (lbs.)
64-162558100H	2-1/16"	10k	51.31	14.06	32.72	6.85	7.88	2.06	20.50	30.25	17.75	384
64-155558100H	3-1/8"	5k	59.51	17.06	37.93	7.60	10.50	3.12	18.62	35.45	17.75	457
64-164558100H	3-1/16"	10k	60.97	17.11	39.33	8.74	10.62	3.06	24.38	36.86	17.75	595
64-156558100H	4-1/16"	5k	67.11	19.87	42.77	9.89	12.25	4.06	21.50	40.37	17.75	636
64-166558100H	4-1/16"	10k	71.43	20.50	46.40	11.23	12.44	4.06	26.38	43.74	17.75	1043

IFC™ MANUAL GATE VALVE MINOR REPAIR KIT

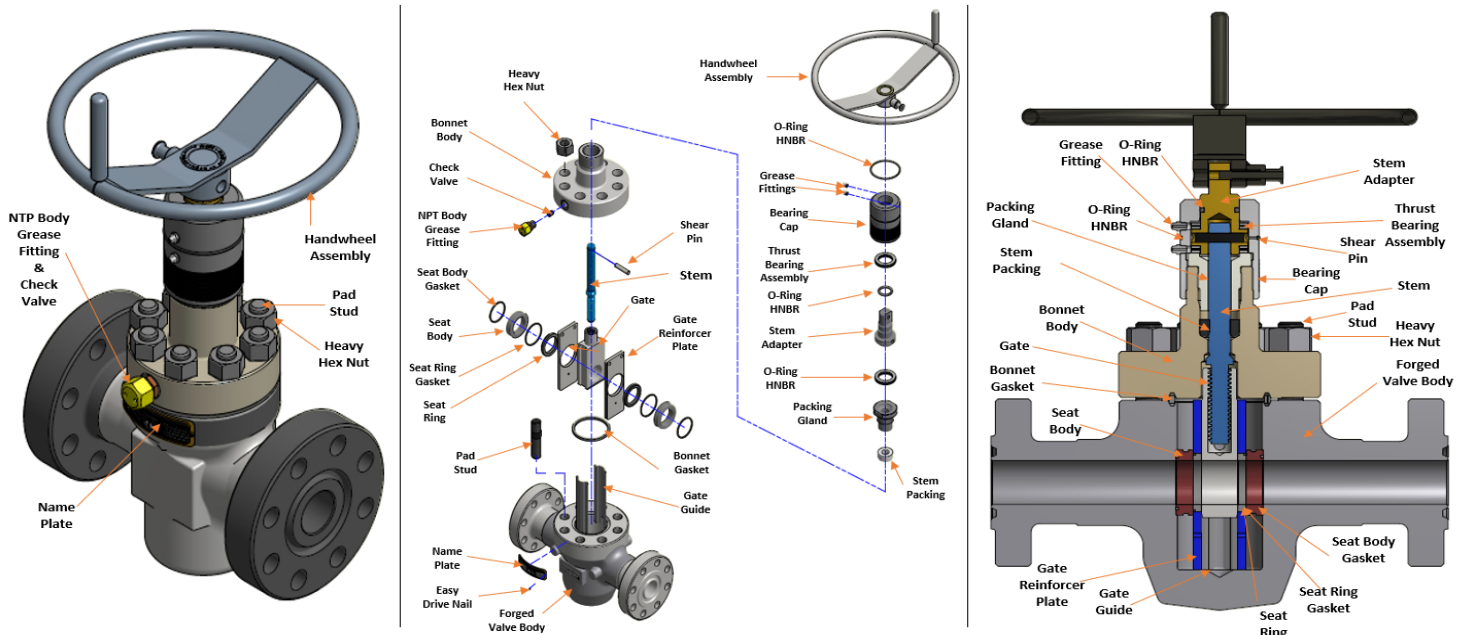
PART DESCRIPTION	QTY Per KIT	1-13/16" – 10K	2-1/16" – 5k	2-1/16" – 10k	3-1/8" – 5k	3-1/16" – 10k	4-1/16" – 5k	4-1/16" – 10k
		Operator -Manual EE-NL P-U PSL3 PR1	Operator -Manual DD or EE-NL P-U PSL3 PR1	Operator -Manual EE-NL P-U PSL3 PR2	Operator -Manual EE-NL P-U PSL3 PR2	Operator -Manual EE-NL P-U PSL3 PR2	Operator -Manual EE-NL P-U PSL3 PR2	Operator -Manual EE-NL P-U PSL3 PR2
		Complete Kit Part # 62-110EEMNR-KIT	Complete Kit Part # 62-25DDMNR-KIT 62-25EEMNR-KIT	Complete Kit Part # 62-210EEMNR-KIT	Complete Kit Part # 62-35EEMNR-KIT	Complete Kit Part # 62-310MNR-KIT	Complete Kit Part # 62-45EEMNR-KIT	Complete Kit Part # 62-410EEMNR-KIT
EACH MINOR KIT CONTAINS THE FOLLOWING INDIVIDUAL PARTS								
Bonnet Gasket	1	62-961870188	62-952870188	62-962870188	64-9551118188	62-964870188	64-9561118188	64-9661118188
Seat Ring	4	62-961750500 (2)	62-962750500 (2)	64-9621118500	64-9641118500	64-9641118500	64-9661118500	64-9661118500
Seat Body Gasket	2	62-961750490 (2)	62-962750490 (2)	N/A	N/A	N/A	N/A	N/A
Stem Packing	1	62-961749340	62-961749340	64-9641118340	64-9641118340	64-9641118340	64-9641118340	64-9661118340
Stem Adapter O-Ring	1	17-090-112	17-090-112	17-100-123	17-100-123	17-100-123	17-100-123	17-100-124
1/2" NPT Body Grease Fitting	1	15-100-100	15-100-100	15-100-102	15-100-102	15-100-102	15-100-102	15-100-102
Thrust Bearing Assembly	1	62-968881230	62-968881230	64-9621118230	64-9621118230	64-9621118230	64-9621118230	64-9661118230

IFC™ MANUAL GATE VALVE MAJOR REPAIR KIT

PART DESCRIPTION	QTY Per KIT	1-13/16" – 10K	2-1/16" – 5k	2-1/16" – 10k	3-1/8" – 5k	3-1/16" – 10k	4-1/16" – 5k	4-1/16" – 10k
		Operator -Manual EE-NL P-U PSL3 PR1	Operator -Manual DD or EE-NL P-U PSL3 PR1	Operator -Manual EE-NL P-U PSL3 PR2	Operator -Manual EE-NL P-U PSL3 PR2	Operator -Manual EE-NL P-U PSL3 PR2	Operator -Manual EE-NL P-U PSL3 PR2	Operator -Manual EE-NL P-U PSL3 PR2
		Complete Kit Part # 62-110EEMJR-KIT	Complete Kit Part # 62-25DDMJR-KIT 62-25EEMJR-KIT	Complete Kit Part # 62-210EEMJR-KIT	Complete Kit Part # 62-35EEMJR-KIT	Complete Kit Part # 62-310EEMJR-KIT	Complete Kit Part # 62-45EEMJR-KIT	Complete Kit Part # 62-410EEMJR-KIT
EACH MAJOR KIT CONTAINS THE FOLLOWING INDIVIDUAL PARTS								
Bonnet Gasket	1	62-961870188	62-952870188	62-962870188	64-9551118188	62-964870188	64-9561118188	64-9661118188
Gate Guide	2	62-969870488	62-969870448	64-9221118448	64-9241118448	62-964870448	64-9561118448	64-9661118448
Gate – Nitride Coating	1	64-961456400	62-962456400	64-9611118400	64-9641118400	64-9641118400	64-9561118400	64-9661118400
Seat Ring - Nitride Coating	2	64-961456488	62-962456488	64-9621118488	64-9641118488	64-9641118488	64-9561118488	64-9661118488
Gate Reinforcer Plate	2	62-961456428	62-962456428	64-9621118428	64-9641118428	64-9641118428	64-9561118428	64-9661118428
Stem	1	62-969456388	62-969456388	64-9621118388	64-9641118388	64-9641118388	64-9561118388	64-9661118388
1/2" NPT Body Grease Fitting	1	15-100-100	15-100-100	15-100-102	15-100-102	15-100-102	15-100-102	15-100-102
Body Bushing	2	62-961556468	62-962456468	64-9621118468	64-9551118468	64-9641118468	64-9561118468	64-9661118468
Shear Pin	1	21-020-002	21-020-002	64-9621118468	30-000082	30-000082	30-000082	21-020-018
Seat Ring Gasket	4*	62-961750500 (2)	62-962750500 (2)	64-9621118500	64-9641118500	64-9641118500	64-9661118500	64-9661118500
Stem Packing	1	62-961749340	62-961749340	64-9641118340	64-9641118340	64-9641118340	64-9641118340	64-9661118340
Stem Adapter O-Ring	1	17-090-112	17-090-112	17-100-123	17-100-123	17-100-123	17-100-123	17-100-124
Thrust Bearing Assy	2	62-968881230	62-968881230	64-9621118230	64-9621118230	64-9621118230	64-9621118230	64-9661118230
Seat Body Gasket	2*	62-961750490 (2)	62-962750490 (2)	N/A	N/A	N/A	N/A	N/A



**IFC™ Manual Gate Valve
Exploded View with Part Identification**



IFCT™ HYDRAULIC GATE VALVE MINOR REPAIR KIT

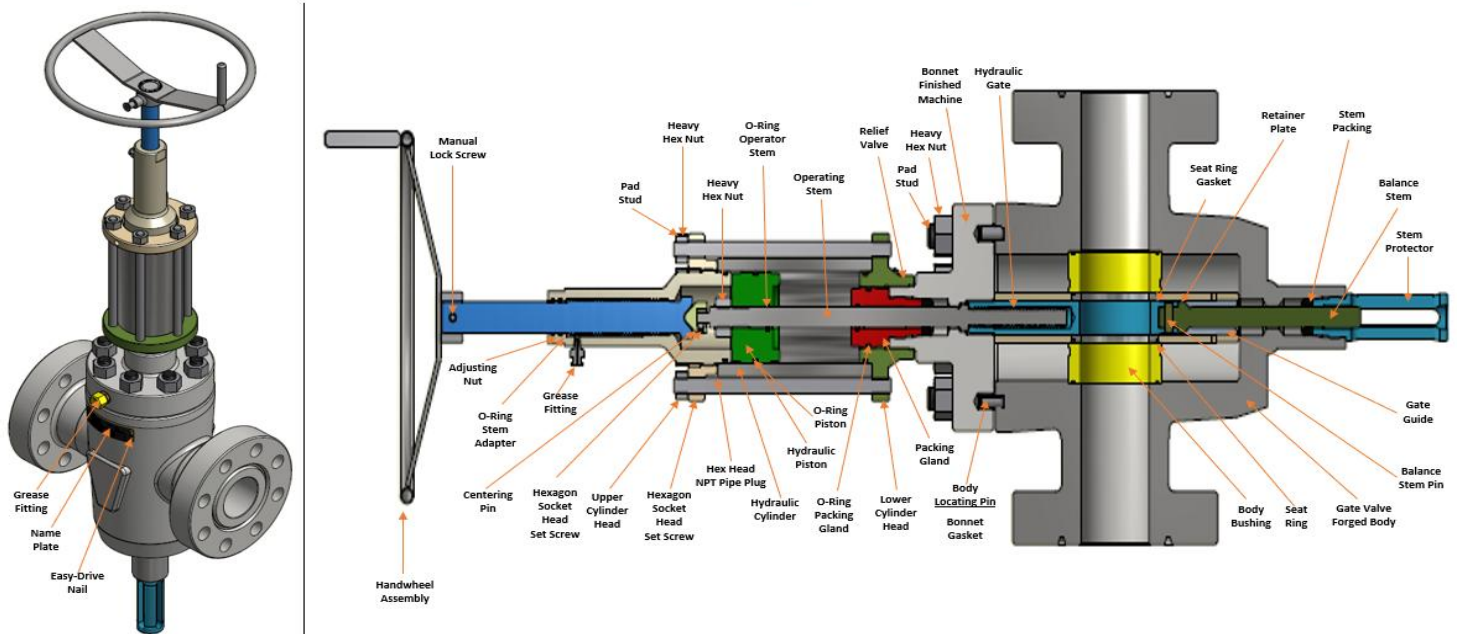
		2-1/16" – 10k	3-1/8" – 5k	3-1/16" – 10k	4-1/16" – 5k	4-1/16" – 10k
		Operator -Hydraulic EE-NL P-U PSL3 PR2	Operator -Hydraulic EE-NL P-U PSL3 PR2	Operator -Hydraulic EE-NL P-U PSL3 PR2	Operator -Hydraulic EE-NL P-U PSL3 PR2	Operator -Hydraulic EE-NL P-U PSL3 PR2
		Complete Kit Part # 62-210EEMNRHYD-KIT	Complete Kit Part # 62-35EEMNRHYD-KIT	Complete Kit Part # 62-310EEMNRHYD-KIT	Complete Kit Part # 62-45EEMNRHYD-KIT	Complete Kit Part # 62-410EEMNRHYD-KIT
Part Description		EACH MINOR KIT CONTAINS THE FOLLOWING INDIVIDUAL PARTS				
Stem Packing, IFC	2	64-9641118340	64-9641118340	64-9641118340	64-9641118340	64-9661118340
Seat Gasket, IFC	4	64-9621118500	64-9641118500	64-9641118500	94-9661118500	64-9661118500
Bonnet Gasket, IFC	1	62-962870188	64-9551118188	64-9641118188	64-9561118188	62-40610-0004
O-Ring, Stem Adapter	2	17-100-123	17-100-123	17-100-123	17-100-123	17-100-123
O-Ring, Piston	3	31-000043	31-000043	31-000040	31-000043	31-000035
O-Ring, Operator Piston	2	17-200-103	17-200-103	17-200-103	17-200-103	31-000117
O-Ring, Packing Gland	1	31-000039	31-000039	31-000039	31-000039	31-000034

IFCT™ HYDRAULIC GATE VALVE MAJOR REPAIR KIT

		2-1/16" – 10k	3-1/8" – 5k	3-1/16" – 10k	4-1/16" – 5k	4-1/16" – 10k
		Operator -Hydraulic EE-NL P-U PSL3 PR2	Operator -Hydraulic EE-NL P-U PSL3 PR2	Operator -Hydraulic EE-NL P-U PSL3 PR2	Operator -Hydraulic EE-NL P-U PSL3 PR2	Operator -Hydraulic EE-NL P-U PSL3 PR2
		Complete Kit Part # 62-210EEMJRHYD-KIT	Complete Kit Part # 62-35EEMJRHYD-KIT	Complete Kit Part # 62-310EEMJRHYD-KIT	Complete Kit Part # 62-45EEMJRHYD-KIT	Complete Kit Part # 62-410EEMJRHYD-KIT
Part Description		EACH MAJOR KIT CONTAINS THE FOLLOWING INDIVIDUAL PARTS				
Stem Packing, IFC	2	64-9641118340	64-9641118340	64-9641118340	64-9641118340	64-9661118340
Balance Stem, IFC	1	64-9621118970	64-95101118970	64-95101118970	64-9551118970	64-9661118970
Balance Stem Pin, IFC	1	21-020-017	21-020-017	21-020-017	21-020-017	21-020-019
Body Bushing	2	64-9621118468	64-9551118468	64-9641118468	64-9561118468	64-9661118468
Seat Ring Gasket	4	64-9621118500	64-9641118500	64-9641118500	94-9661118500	64-9661118500
Seat Ring, IFC	2	64-9621118488	64-9641118488	64-9641118488	94-9561118488	62-40610-0036
Retainer Plate, IFC	2	64-9621118428	64-9641118428	64-9641118428	94-9561118428	64-9661118428
Gate, Hydraulic, IFC	1	64-9221118402	64-9511118402	64-9511118402	64-9551118402	64-9661118402
Gate Guide, IFC	2	64-9221118448	64-9241118448	62-964870448	64-9561118448	64-9661118448
Bonnet Gasket	1	62-962870188	64-9551118188	64-9641118188	64-9561118188	62-40610-0004
GV Bonnet, IFC	1	64-9621118140	64-9551118140	64-9641118140	64-9561118140	64-9661118140
O-Ring, Stem Adapter	2	17-100-123	17-100-123	17-100-123	17-100-123	17-100-123
O-Ring, Piston	3	31-000043	31-000043	31-000040	31-000043	31-000035
O-Ring, Operator Piston	2	17-200-103	17-200-103	17-200-103	17-200-103	31-000117
O-Ring, Packing Gland	1	31-000039	31-000039	31-000039	31-000039	31-000034



**IFCT™ Hydraulic Gate Valve
Exploded View with Part Identification**





INTEGRATED®

GLOBAL HEADQUARTERS

5701 Brittmoore Road, Houston, Texas USA 77041

Contact: 713-785-7075 | Fax: 713-785-7099 | Email: sales@integratedwww.com | Website: www.integratedwww.com

**INTEGRATED®
EQUIPMENT**

West Texas, USA Operations
13020 Hwy 191, Suite H
Midland, Texas USA 79707

**INTEGRATED®
EQUIPMENT INTERNATIONAL**

Canada Operations
Edmonton, Canada
Alberta Corporate ULC

**INTEGRATED®
EQUIPMENT INTERNATIONAL**

Dubai, UAE Operations

**INTEGRATED®
ELASTOMERS**

OEM Elastomer Manufacturing
31811 Industrial Park Drive
Pinchurst, Texas USA 77362

**INTEGRATED®
EQUIPMENT (India) LIMITED**

OEM Equipment Manufacturing
Pune-Nagar Highway, Kondhapuri
Pune 412209

**INTEGRATED®
EQUIPMENT INTERNATIONAL**

South America Operations
Edificio PH909, Calle 50 y Calle Este
San Fransisco, Republica of Panama

IFC™ Gate Valve Electronic Catalog



Elastomer Electronic Catalog



INTEGRATED® Licenses & Certifications



6A-0851
21st Edition

16A-0197
4th Edition

16AR-0015
2nd Edition

16C-0564
3rd Edition

20E-0087
3rd Edition



Q1-4952
(10th Edition)



RQ91/4505
(QMS Certification)



U59670
(Pressure Vessels – PD)



CE Marking Affirms
Products are
manufactured in
Compliance with the
Relevant EU Legislation
(European Economic Area)

CE0062
(Europe)



Canada Registration No.
(CRN)

BH/2026