

DESIGN | ENGINEERING | OEM API LICENSE MANUFACTURING | ELASTOMER MANUFACTURING USA | GLOBAL REPAIR & REMANUFACTURING SERVICES | GLOBAL PRODUCT DISTRIBUTION



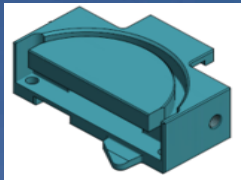
# OEM BOP RAM BLOCKS & ASSEMBLY CATALOG

## INTEGRATED®

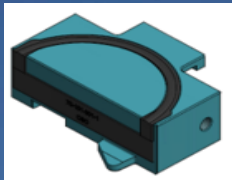
is an established OEM manufacturer of API 16A Monogrammed Ram Blocks and Assemblies that meet or exceed industry standards & requirements. All equipment is designed, engineered, manufactured and validated as per API 16A latest edition. INTEGRATED® offers a wide variety of industry styles, sizes and pressure rating. All styles are engineered to fit & function in INTEGRATED® OEM BOPs and Industry standard competitor pressure control BOP equipment.

### 7-1/16" & 9" IE™ RAM BLOCKS & ASSEMBLIES

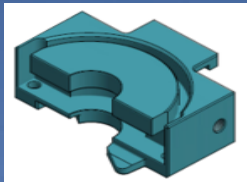
CSO (Blind) Block



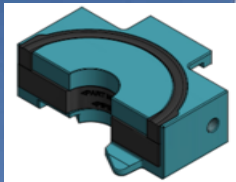
CSO (Blind) Assembly



Pipe Ram Block

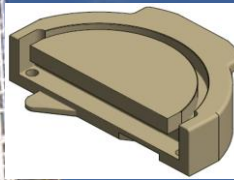


Pipe Ram Assembly

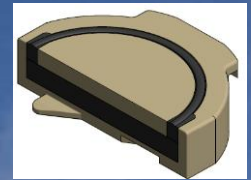


### 9" IWPT™ RAM BLOCKS & ASSEMBLIES

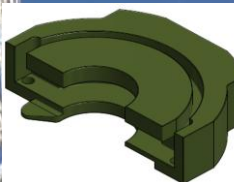
CSO (Blind) Block



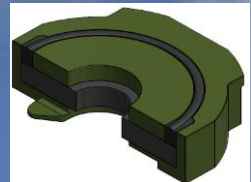
CSO (Blind) Assembly



Pipe Ram Block

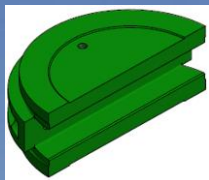


Pipe Ram Assembly



### 11" & 13-5/8" I70™ (IWST™ Style) RAM BLOCKS & ASSEMBLIES

CSO Block



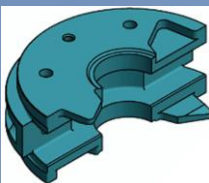
Carrier



CSO Assembly



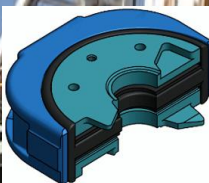
Pipe Block



Carrier



Pipe Assembly



Multi Ram Assembly



### 7-1/16", 11" & 13-5/8" IU™ RAM BLOCKS & ASSEMBLIES

CSO (Blind) Block



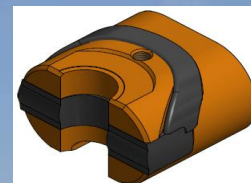
CSO (Blind) Assembly



Pipe Block



Pipe Assembly



Variable Bore Ram (VBR)



Shear Blind Ram (SBR)



INTEGRATED® is an API licensed Original Equipment Manufacturer (OEM) of Pressure and Flow Control Equipment for the Global Drilling, Workover, Snubbing, Rental and Production sectors of the Oil and Gas Industry

INTEGRATED® holds the following Manufacturing Licenses & Certifications:

API 6A | API 16A | API 16AR | API 16C | API 20E (BSL 1,2 &3) | ASME U | CRN | NATIONAL BOARD | API Q1 (10<sup>th</sup> Edition) | ISO-9001-2015

## PRODUCT INDEX

1	GENERAL INFORMATION	Page No.
1.01	Integrated Manufactured API Monogrammed Pressure and Flow Control Equipment & Product	3
2	7-1/16" – 3/5k, IE™ (WSI Style) RAM BLOCKS & ASSEMBLIES	
2.01	Sizes: CSO, 1.66", 1.90", 2-1/16", 2-3/8", 2-7/8", 3-1/2", 4", 4-1/2", 5" & 5-1/2"	4
2.02	IFlex™: 2-3/8" to 2-7/8"   2-7/8" to 3-1/2"	4
3	7-1/16" – 3/15k, IU™ (U Style) RAM BLOCKS & ASSEMBLIES	
3.01	Sizes: CSO, 2-3/8", 2-7/8", 3-1/2", 4", 4-1/2", 5" & 5-1/2"	5
3.02	Variable Bore Ram (VBR): 2-3/8" to 3-1/2"	5
3.03	IFlex™: 2-3/8" to 2-7/8"	5
3.04	Shear Blind Ram (SBR): 7-1/16"	5
4	9" – 3/5k, IE™ (WSI Style) RAM BLOCKS & ASSEMBLIES	
4.01	Sizes: CSO, 2-3/8", 2-7/8", 3-1/2", 4", 4-1/2", 5" & 5-1/2"	6
5	9" – 3/5k, IWPT™ (LWP Style) RAM BLOCKS & ASSEMBLIES	
5.01	Sizes: CSO, 2-3/8", 2-7/8", 3-1/2", 4", 4-1/2", 5" & 5-1/2"	7
6	11" – 3k, I70™ (LWS Style) RAM BLOCKS & ASSEMBLIES	
6.01	Sizes: CSO, 2-3/8", 2-7/8", 3-1/2", 4", 4-1/2", 5", 5-1/2", 6-5/8", 7" & 7-5/8"	8
7	11" – 5k, I70™ (LWS Style) RAM BLOCKS & ASSEMBLIES	
7.01	Sizes: CSO, 2-3/8", 2-7/8", 3-1/2", 4", 4-1/2", 5", 5-1/2", 6-5/8", 7" & 7-5/8"	9
7.02	Multi Ram: 2-7/8" to 5"	9
8	11" – 3/10k, IU™ (U Style) RAM BLOCKS & ASSEMBLIES	
3.01	Sizes: CSO, 2-3/8", 2-7/8", 3-1/2", 4", 4-1/2", 5", 5-1/2", 6-5/8", 7", 7-5/8", 8-5/8" & 9-5/8"	10
3.02	Variable Bore Ram (VBR): 2-7/8" to 5"	10
3.03	Shear Blind Ram (SBR): 11"	10
9	13-5/8" – 5k, I70™ (LWS Style) RAM BLOCKS & ASSEMBLIES	
9.01	Sizes: CSO, 2-3/8", 2-7/8", 3-1/2", 4", 4-1/2", 5", 5-1/2", 6-5/8", 7", 7-5/8", 8-5/8" & 9-5/8"	11
9.02	Multi Ram: 2-7/8" to 5" and 4-1/2" to 7"	11
10	13-5/8" – 3/10k, IU™ (U Style) RAM BLOCKS & ASSEMBLIES	
10.01	Sizes: CSO, 2-3/8", 2-7/8", 3-1/2", 4", 4-1/2", 5", 5-1/2", 6-5/8", 7", 7-5/8", 8-5/8" & 9-5/8"	12
10.02	Variable Bore Ram (VBR): 2-7/8" to 5", 3-1/2" to 5-1/2" and 4-1/2" to 7"	12
10.03	Shear Blind Ram (SBR): 13-5/8"	12
11	INTEGRATED CONTACT INFORMATION	
11.01	Location Address	13
11.02	Contact Phone Number	13
11.03	Contact Email Address	13
11.04	Website	13
11.05	Manufacturing Licenses & QMS Certifications	13

**INTEGRATED OEM MANUFACTURED – API MONOGRAMMED EQUIPMENT & PRODUCT  
LICENSES AND CERTIFICATIONS**

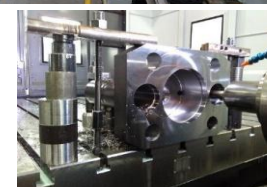
API 6A-0851 | API 16A-0197 | API 16AR-0015 | API 16C-0564 | API 20E-0087 | ASME U-59670 | CE0062 | CRN (Canada)  
API Q1-4952 (10th Edition) | ISO 9001:2015-RQ91/4505 | ISO 9001:2015 188908-2015-AQ-USA-ANAB | ISO 9001:2015 188908-2015-AQ-USA-ANAB-CCI

API 6A	API 6A	API 6A	API 16C	API 16A	API 20E	ASME U	API 16AR	API Q1   ISO
Pressure Control Valves	Wellhead Components	Choke & Kill Manifolds	Chokes - Controls & Buffer Tanks	Blowout Preventers (BOP) & Ram Blocks	Equipment Bolting (BSL)	Pulsation Dampeners (PD)	Remanufacturing (Recertification)	Equipment & Elastomers
<b>IFC™</b> Slab Gate Valves 1-1/16" to 4-1/16"	Tubing & Casing Spools	Choke & Kill Manifolds	Well Control Chokes	<b>IU™</b> Ram BOP Single & Double 7-1/16" to 13-5/8" Shear & Non-Shear 3k to 15k	Ran & Annular BOP Bolting	<b>Drilling Pulsation Dampener (DPD)</b> 10 & 20 gal Up to 7,500 psi	Ram & Annular BOPs All Major Brands	Certified Quality Management System (QMS)
<b>DrilFLO™</b> Slab Gate Valves 2-1/16" to 7-1/16"	Tubing & Casing Hangers	Standpipe Manifolds	Well Control Choke Actuators	<b>IE™</b> Ram BOP Single, Double & Triple 7-1/16" & 9" 3k and 5k	Valve Bolting	<b>Production Pulsation Dampener (PDP)</b> 1, 2, 5, 10 & 20 gal Up to 6,180 psi	Choke & Kill Manifolds	Corporate ERP Manufacturing System (IDE)
<b>AcceFLO™</b> Expanding Gate Valves 2-1/16" to 7-1/16"	Tree Caps	Cement Manifolds	Choke & Kill Manifold Buffer Cambers	<b>IWP™</b> Ram BOP Single & Double 9" 3k & 5k	Pulsation Dampener Bolting	<b>Pulsation Dampener – Elastomers</b> Diaphragms (Bladders) IP, K & Emco Styles Stabilizers, Gaskets & Spares	API Valves FC & FLS Styles	Global System to connect all Manufacturing, Distribution & SSP
<b>IFRAC™</b> Gate Valve 4-1/16" to 7-1/16"	Tees & Crosses	Kill Wing Valve Manifolds		<b>IWS™</b> Ram BOP Single & Double 11" & 13-5/8" 3k & 5k			Pulsation Dampeners (Drilling & Production) Only Major Brands	QMS for Pressure Control Equipment Manufacturing
Minor & Major Re	Companion Flanges	Frac Manifolds		<b>IU™, IE™, IWP™ &amp; I70™</b> Ram Blocks CSO, Pipe, SBR, VBR, Flex				QMS for Pressure Control Elastomer Manufacturing
	PE Seals			<b>ISA™</b> Spherical Annular BOP 7-1/16" to 21-1/4" 2k to 5k & 10k Btm				
				<b>IK™</b> (GK Style) Annular BOP 7-1/16" to 13-5/8" – 5k				
				<b>Ram BOP – Elastomers</b> Top Seal, Front Packers & Doors Seals				
				<b>Annular BOP – Elastomers</b> Packing Elements				
				<b>Ram &amp; Annular BOP Seal Kits</b>				
				<b>IU™, IE™, IWP™, IWS™, ISA™ &amp; IK™</b> Styles				
				<b>Stripper Rubbers</b> I-1360™ Washington Style				

*Integrated's API Certified – Licensed OEM plants provide state-of-the-art manufacturing of our Engineered-Designed Pressure Control Equipment and Elastomeric Products*



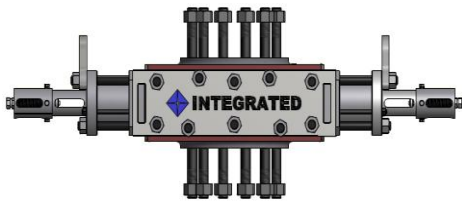
**Integrated's Oracle - JD Edwards Enterprise Resource Planning (ERP) system integrates our global manufacturing, distribution facilities and service centers**



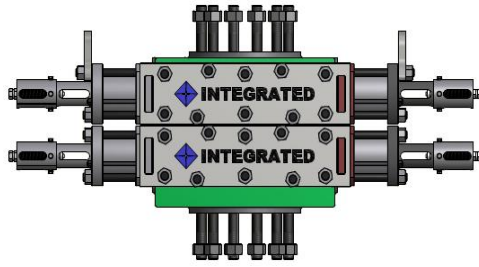
**2.0**

**IE™ 7-1/16" – 3/5K RAM BOP (WSI Style)**

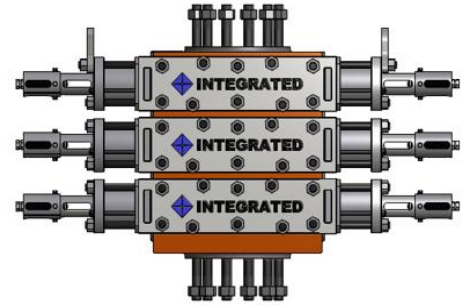
Ram Assemblies | Ram Blocks | Front Packers | IFlex™ Front Packers | Top Seals



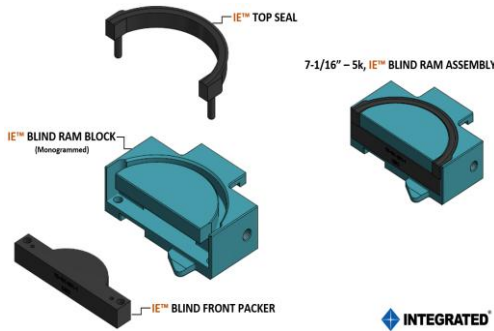
INTEGRATED® 7-1/16" – 3/5k Single (SR) Ram IE™ BOP



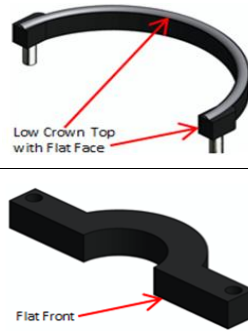
INTEGRATED® 7-1/16" – 3/5k Double (DR) Ram IE™ BOP



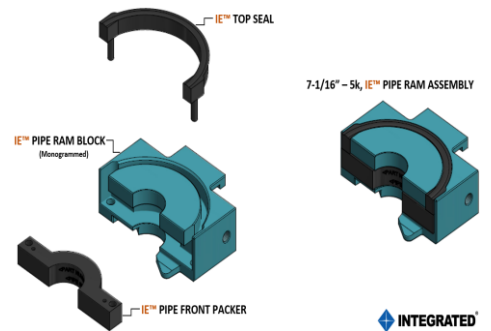
INTEGRATED® 7-1/16" – 3/5k Triple (TR) Ram IE™ BOP



**IE™ CSO (Blind) Ram Assembly**



**Top Seal & Front Packers**



**IE™ Pipe Ram Assembly**

**IE™ - CSO AND PIPE RAMS**

IE™ Ram Size	IE™ Assembly Part Number	IE™ Assembly Sub-Component Part Number		
		Ram Block (Forged) API 16A Monogrammed (2 pieces required)	Front Packer Material – XNBR (2 pieces required)	Top Seal Material – XNBR (2 pieces required)
CSO	<b>70-203-001</b>	70-202-000	70-101-001-1	70-101-000-FL
1.66"	<b>70-203-001-15</b>	70-202-001-0	70-101-002-15	70-101-000-FL
1.90"	<b>70-203-001-1</b>	70-202-001-1	70-101-002-1	70-101-000-FL
2-1/16"	<b>70-203-001-11</b>	70-202-001-11	70-101-002-11	70-101-000-FL
2-3/8"	<b>70-203-001-2</b>	70-202-001-2	70-101-002-2	70-101-000-FL
2-7/8"	<b>70-203-001-3</b>	70-202-001-3	70-101-002-3	70-101-000-FL
3-1/2"	<b>70-203-001-5</b>	70-202-001-5	70-101-002-5	70-101-000-FL
4"	<b>70-203-001-6</b>	70-202-001-6	70-101-002-6	70-101-000-FL
4-1/2"	<b>70-203-001-7</b>	70-202-001-7	70-101-002-7	70-101-000-FL
5"	<b>70-203-001-8</b>	70-202-001-8	70-101-002-8	70-101-000-FL
5-1/2"	<b>70-203-001-13</b>	70-202-001-13	70-101-002-13	70-101-000-FL

**IE™ - IFLEX™**

IE™ IFLEX™ Size	IFLEX™ Assembly Part Number	IFLEX™ Assembly Sub-Component Part Number		
		Ram Block (Forged) API 16A Monogrammed (2 pieces required)	Front Packer Material – XNBR (2 pieces required)	Top Seal Material – XNBR (2 pieces required)
2-3/8" to 2-7/8"	<b>70-203-001-25</b>	70-202-001-3	70-0705-00211	70-101-000-FL
2-7/8" to 3-1/2"	<b>70-203-001-26</b>	70-202-001-5	70-0705-00350	70-101-000-FL

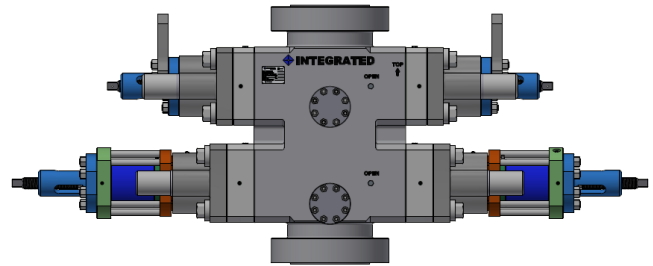
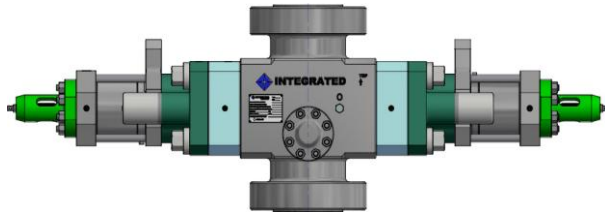
**IE™ - VARIABLE BORE RAM (VBR)**

IE™ IVBR™ Size	IVBR™ Assembly Part Number	IFLEX™ Assembly Sub-Component Part Number		
		Ram Block (Forged) API 16A Monogrammed (2 pieces required)	Front Packer Material – XNBR (2 pieces required)	Top Seal Material – XNBR (2 pieces required)
2-3/8" to 2-7/8"	<b>70-203-001-27</b>	70-202-001-3	70-0705-00447	70-101-000-FL

**3.0**

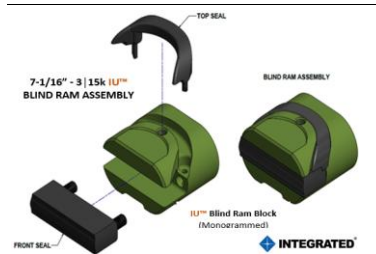
**IU™ 7-1/16" – 3/15K RAM BOP (U Style)**

Ram Assemblies | Ram Blocks | Front Packers | IFlex™ Front Packers | Top Seals | VBR | SBR

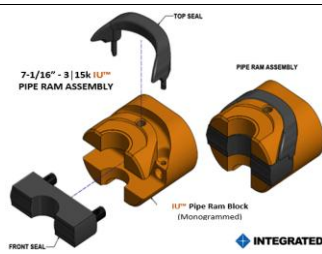


INTEGRATED® 7-1/16" – 3/15k, Single (SR) Ram Forged Shear IU™ BOP

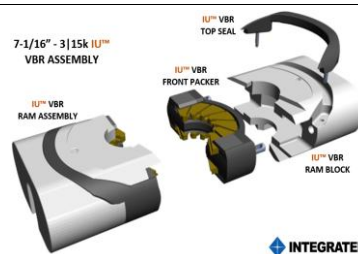
INTEGRATED® 7-1/16" – 3/15k, Double (DR) Ram Forged Shear IU™ BOP



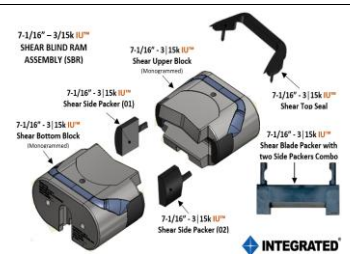
IU™ CSO (Blind) Ram Assembly



IU™ Pipe Ram Assembly



IU™ Variable Bore Ram Assembly (SBR)



IU™ Shear Blind Ram Assembly (SBR)

**IU™ - CSO AND PIPE RAMS**

IU™ Ram Size	IU™ Assembly Part Number	IU™ Assembly Sub-Component Part Number				
		Ram Block (Forged) API 16A Monogrammed (2 pieces required)	Safety Front Packer Material – XNBR (2 pieces required)	Stripper Front Packer Material – XNBR (2 pieces required)	Stripper Insert Material – UHMW (2 pieces required)	Top Seal Material – XNBR (2 pieces required)
CSO	<b>70-0705-00241</b>	70-0705-00232	70-0703-00009	N/A	N/A	70-0703-00029
2-3/8"	<b>70-0705-00242</b>	70-0705-00233	70-0703-00010	70-0703-00020	70-0703-00026	70-0703-00029
2-7/8"	<b>70-0705-00226</b>	70-0705-00212	70-0703-00011	70-0703-00021	70-0703-00027	70-0703-00029
3-1/2"	<b>70-0705-00243</b>	70-0705-00234	70-0703-00012	70-0703-00022	70-0703-00028	70-0703-00029
4"	<b>70-0705-00244</b>	70-0705-00235	70-0703-00013	N/A	N/A	70-0703-00029
4-1/2"	<b>70-0705-00245</b>	70-0705-00236	70-0703-00014	N/A	N/A	70-0703-00029
5"	<b>70-0705-00246</b>	70-0705-00237	70-0703-00015	N/A	N/A	70-0703-00029
5-1/2"	<b>70-0705-00247</b>	70-0705-00238	70-0703-00016	N/A	N/A	70-0703-00029

**IU™ – VARIABLE BORE RAM (VBR)**

IU™ VBR Ram Size	IU™ Assembly Part Number	IU™ Assembly Sub-Component Part Number		
		Ram Block (Forged) API 16A Monogrammed (2 pieces required)	Front Packer Material – NBR (2 pieces required)	Top Seal Material – XNBR (2 pieces required)
2-3/8" to 3-1/2"	<b>70-0705-00248</b>	70-0705-00239	95-0710000-V-03	70-0703-00029-V
2-7/8" to 4"	<b>70-0705-00249</b>	70-0705-00240	95-0710000-V-04	70-0703-00029-V

**IU™ - IFLEX™**

IU™ IFlex™ Ram Size	IU™ Assembly Part Number	IU™ Assembly Sub-Component Part Number		
		Ram Block (Forged) API 16A Monogrammed (2 pieces required)	Front Packer Material – NBR (2 pieces required)	Top Seal Material – XNBR (2 pieces required)
2-3/8" to 3-1/2"	<b>70-0705-0024</b>	70-0705-00212	70-0705-00345	70-0703-00029

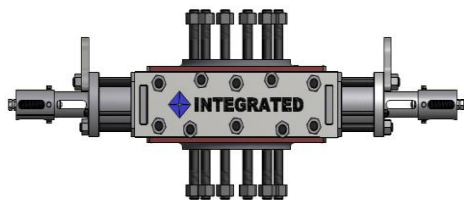
**IU™ - SHEAR BLIND RAM (SBR)**

IU™ Complete Assembly Part Number	IU™ Assembly Sub-Component Part Number					
	Top Block (Forged) API 16A Monogrammed (1 piece required)	Bottom Block (Forged) API 16A Monogrammed (1 piece required)	Blade Packer w/ Side Packers – Combo Material – XNBR (1 piece required)	Top Seal Material – XNBR (2 pieces required)	Right Side Packer Material – XNBR 1 piece required)	Left Side Packer Material – XNBR 1 piece required)
70-0705-00228	70-0705-00213	70-0705-00214	*70-0703-00100	70-0703-00029	70-0703-00101	70-0703-00102

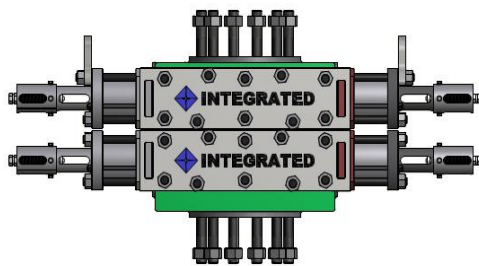
Note: For 7-1/16" – 3/15k IU™, the Top Seal is the same for the CSO, all Pipe Sizes and SBR. The VBR Top Seal is different

**4.0**

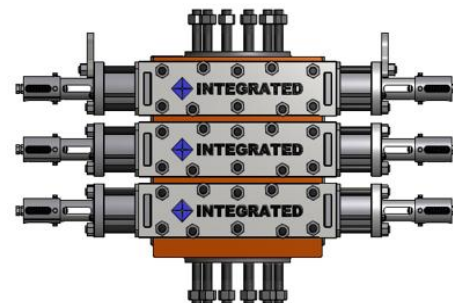
**IE™ 9” – 3/5K RAM BOP (WSI Style)**  
Ram Assemblies | Ram Blocks | Front Packers | Top Seals



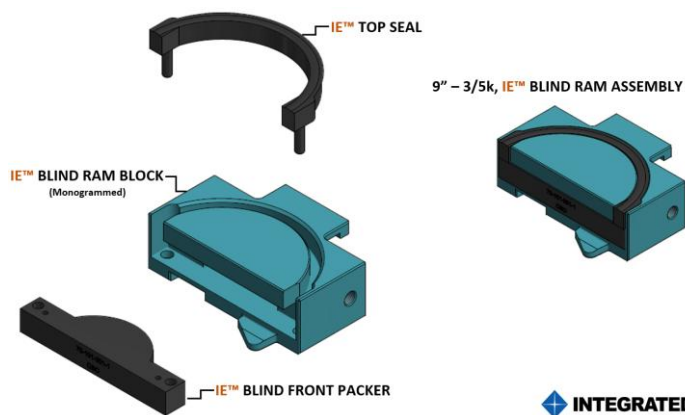
INTEGRATED® 9” – 3/5k Single (SR) Ram IE™ BOP



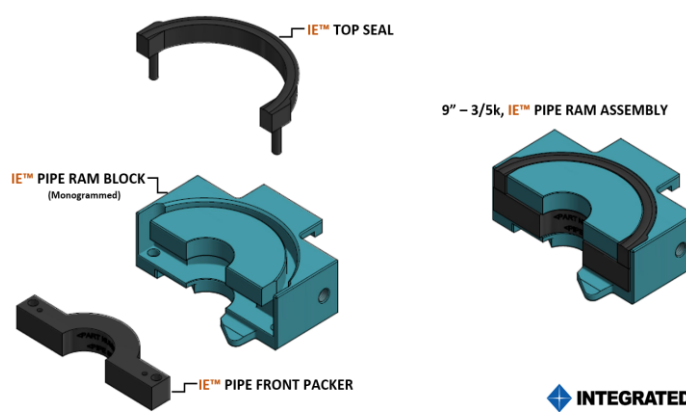
INTEGRATED® 9” – 3/5k Double (DR) Ram IE™ BOP



INTEGRATED® 9” – 3/5k Triple (TR) Ram IE™ BOP



**IE™ CSO (Blind) Ram Assembly**



**IE™ Pipe Ram Assembly**

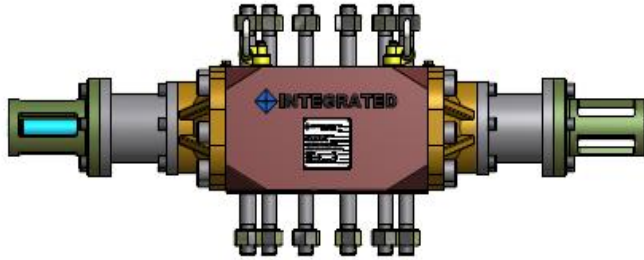
**IE™ - CSO AND PIPE RAMS**

IE™ Ram Size	IE™ Assembly Part Number	IE™ Assembly Sub-Component Part Number		
		Ram Block (Forged) API 16A Monogrammed (2 pieces required)	Front Packer Material – XNBR (2 pieces required)	Top Seal Material – XNBR (2 pieces required)
CSO	<b>70-0905-2000</b>	70-0905-1000	70-102-001	70-102-000
2-3/8”	<b>70-0905-2100</b>	70-0905-1238	70-102-001-1	70-102-000
2-7/8”	<b>70-0905-2238</b>	70-0905-1278	70-102-002-2	70-102-000
3-1/2”	<b>70-0905-2278</b>	70-0905-1312	70-102-002-3	70-102-000
4”	<b>70-0905-2312</b>	70-0905-1400	70-102-002-5	70-102-000
4-1/2”	<b>70-0905-2400</b>	70-0905-1412	70-102-002-6	70-102-000
5”	<b>70-0905-2412</b>	70-0905-1500	70-102-002-7	70-102-000
5-1/2”	<b>70-0905-2500</b>	70-0905-1512	70-102-002-9	70-102-000

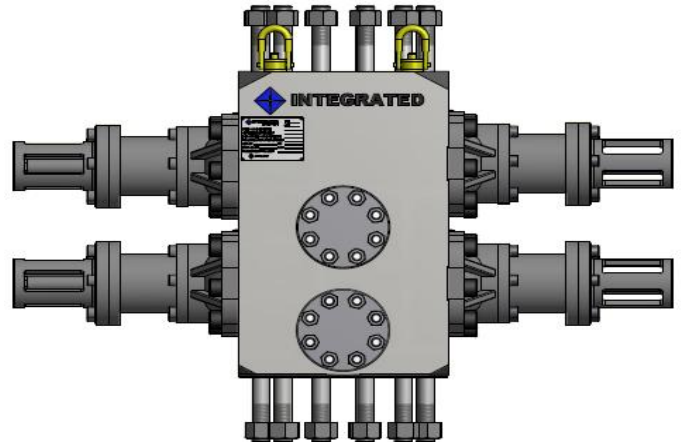
*Note: There are no Flex Packer, Multi Ram or Variable Bore Ram (VBR) available in the 9” - 3/5k IE™ Style*

**5.0**

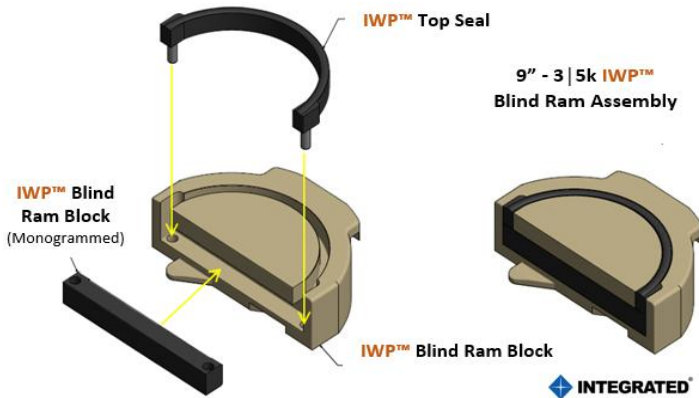
**IWPT™ 9” – 3/5K RAM BOP (LWP Style)**  
 Ram Assemblies | Ram Blocks | Front Packers | Top Seals



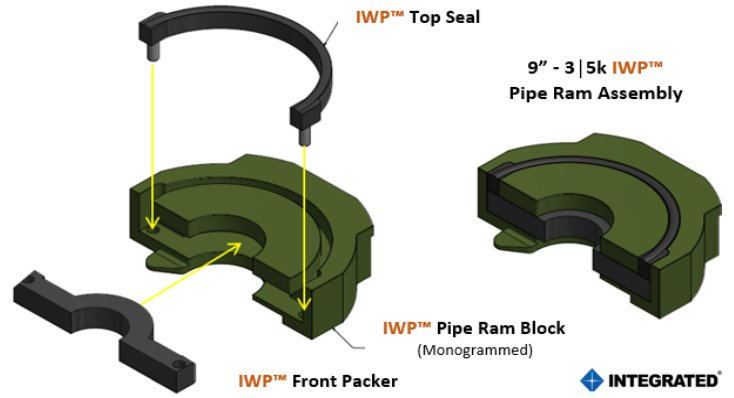
INTEGRATED® 9” – 3/5k, Single (SR) Ram IWPT™ BOP



INTEGRATED® 9” – 3/5k, Double (DR) Ram IWPT™ BOP



**IWPT™ CSO (Blind) Ram Assembly**



**IWPT™ Pipe Ram Assembly**

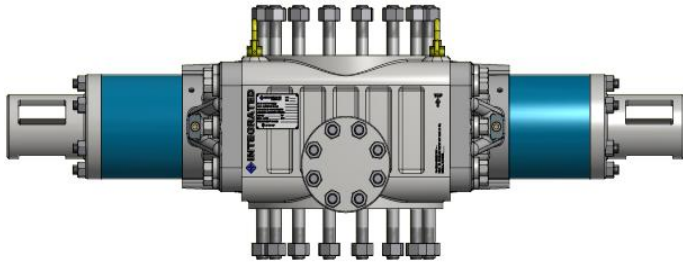
**IWPT™ - CSO AND PIPE RAMS**

IWPT™ Ram Size	IWPT™ Assembly Part Number	IWPT™ Assembly Sub-Component Part Number		
		Ram Block (Forged) API 16A Monogrammed (2 pieces required)	Front Packer Material – XNBR (2 pieces required)	Top Seal Material – XNBR (2 pieces required)
CSO (Without Radius)	<b>70-301-019</b>	70-300-019	70-102-001	70-102-000
CSO (With Radius)	<b>70-301-019-10</b>	70-300-019-10	70-102-001-1	70-102-000
2-3/8”	<b>70-301-019-2</b>	70-300-019-2	70-102-002-2	70-102-000
2-7/8”	<b>70-301-019-3</b>	70-300-019-3	70-102-002-3	70-102-000
3-1/2”	<b>70-301-019-4</b>	70-300-019-4	70-102-002-5	70-102-000
4”	<b>70-301-019-5</b>	70-300-019-5	70-102-002-6	70-102-000
4-1/2”	<b>70-301-019-6</b>	70-300-019-6	70-102-002-7	70-102-000
5”	<b>70-301-019-7</b>	70-300-019-7	70-102-002-9	70-102-000
5-1/2”	<b>70-301-019-8</b>	70-300-019-8	70-102-002-19	70-102-000

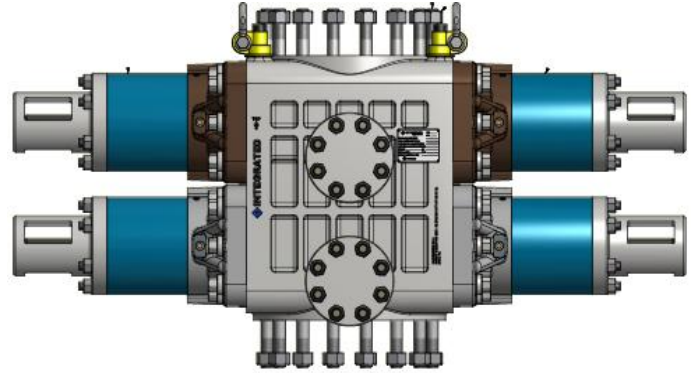
*Note: No Flex, Multi Ram or VBR’s are available in the 9” – 3/5k IWPT™ Style*

**6.0**

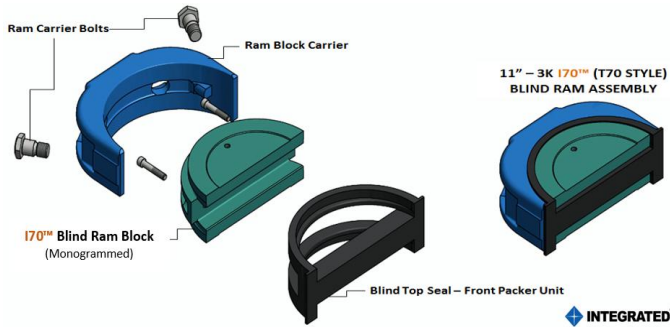
**I70™ 11” - 3K RAM BOP (LWS Style)**  
**Ram Assemblies | Ram Blocks | Front Packer – Top Seal Units**



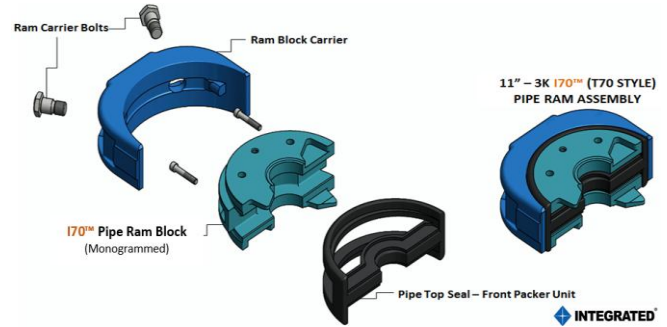
INTEGRATED® 11” – 3k, Single (SR) Ram **IWST™** BOP



INTEGRATED® 11” – 3k, Double (DR) Ram **IWST™** BOP



**I70™ CSO (Blind) Ram Assembly**



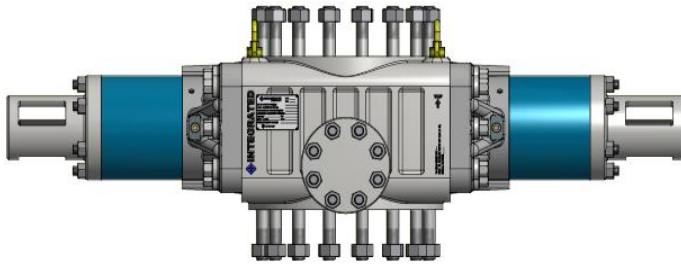
**I70™ Pipe Ram Assembly**

**I70™ (IWST™ Style) - CSO AND PIPE RAMS**

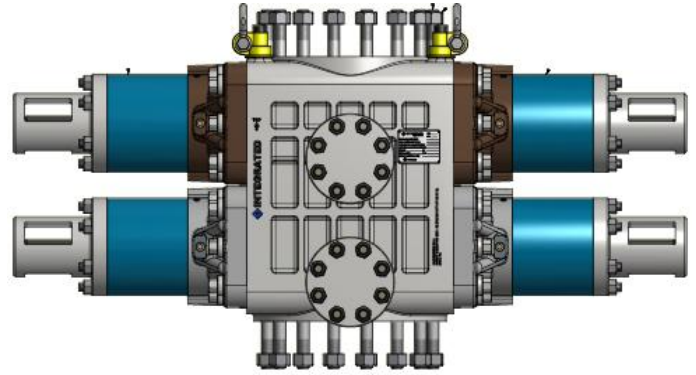
I70™ Ram Size	I70™ Assembly Part Number	I70™ Assembly Sub-Component Part Number			
		Ram Block (Forged) API 16A Monogrammed (2 pieces required)	Carrier (2 pieces required)	Carrier Bolts (4 pieces required)	Front Packer Top Seal Unit Material – NBR (2 pieces required)
CSO	<b>70-1103006</b>	70-1103006	70-1103005	26-012-203	70-401-711
2-3/8”	<b>70-1103104-6</b>	70-1103004-6	70-1103005	26-012-203	70-401-711-1
2-7/8”	<b>70-1103104-7</b>	70-1103004-7	70-1103005	26-012-203	70-401-711-2
3-1/2”	<b>70-1103104-1</b>	70-1103004-1	70-1103005	26-012-203	70-401-711-4
4”	<b>70-1103104-2</b>	70-1103004-2	70-1103005	26-012-203	70-401-711-5
4-1/2”	<b>70-1103104-3</b>	70-1103004-3	70-1103005	26-012-203	70-401-711-6
5”	<b>70-1103104-4</b>	70-1103004-4	70-1103005	26-012-203	70-401-711-7
5-1/2”	<b>70-1103104-5</b>	70-1103004-5	70-1103005	26-012-203	70-401-711-8
6-5/8”	<b>70-1103104-14</b>	70-1103004-14	70-1103005	26-012-203	70-401-711-9
7”	<b>70-1103104-15</b>	70-1103004-15	70-1103005	26-012-203	70-401-711-10
7-5/8”	<b>70-1103104-16</b>	70-1103004-16	70-1103005	26-012-203	70-401-711-11

*Note: No Multi Ram Assembly is available in the 11” – 3k I70™ Style*

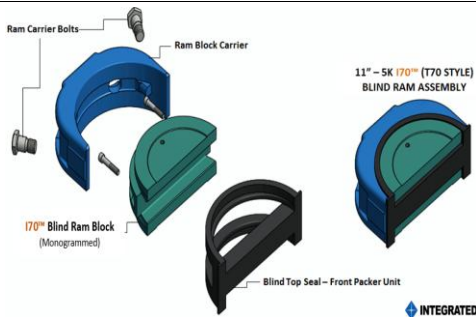
**7.0 I70™ 11” - 5K RAM BOP (LWS Style)**  
 Ram Assemblies | Ram Blocks | Front Packer – Top Seal Units | Multi Ram Packers & Top Seals



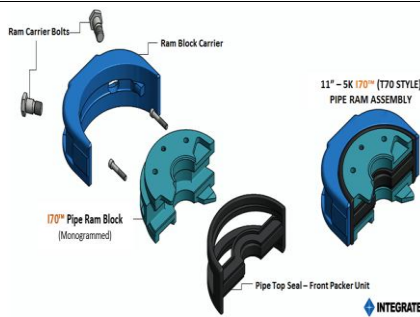
INTEGRATED® 11” - 5k, Single (SR) Ram IWSTM BOP



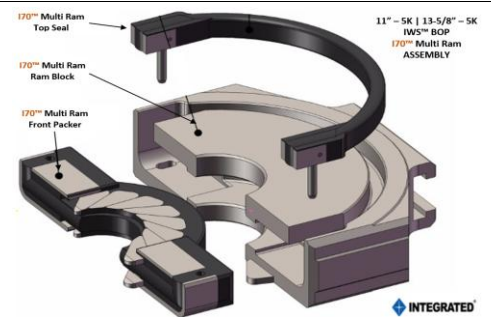
INTEGRATED® 11” - 5k, Double (DR) Ram IWSTM BOP



**I70™ CSO (Blind) Ram Assembly**



**I70™ Pipe Ram Assembly**



**I70™ Multi Ram Assembly**

**I70™ (IWSTM Style) - CSO AND PIPE RAMS**

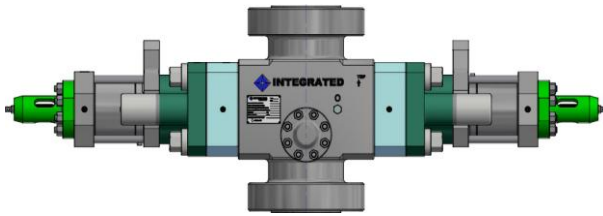
I70™ Ram Size	I70™ Assembly Part Number	I70™ Assembly Sub-Component Part Number			
		Ram Block (Forged) API 16A Monogrammed (2 pieces required)	Carrier (2 pieces required)	Carrier Bolts (4 pieces required)	Front Packer Top Seal Unit Material - NBR (2 pieces required)
CSO	<b>70-1105106</b>	70-1105006	70-1105005	26-012-203	70-401-701
2-3/8”	<b>70-1105104-3</b>	70-1105004-3	70-1105005	26-012-203	70-401-701-1
2-7/8”	<b>70-1105104-4</b>	70-1105004-4	70-1105005	26-012-203	70-401-701-2
3-1/2”	<b>70-1105104-6</b>	70-1105004-6	70-1105005	26-012-203	70-401-701-4
4”	<b>70-1105104-8</b>	70-1105004-8	70-1105005	26-012-203	70-401-701-5
4-1/2”	<b>70-1105104-7</b>	70-1105004-7	70-1105005	26-012-203	70-401-701-6
5”	<b>70-1105104-9</b>	70-1105004-9	70-1105005	26-012-203	70-401-701-7
5-1/2”	<b>70-1105104-13</b>	70-1105004-13	70-1105005	26-012-203	70-401-701-8
6-5/8”	<b>70-1105104-14</b>	70-1105004-14	70-1105005	26-012-203	70-401-701-9
7”	<b>70-1105104-15</b>	70-1105004-15	70-1105005	26-012-203	70-401-701-10
7-5/8”	<b>70-1105104-16</b>	70-1105004-16	70-1105005	26-012-203	70-401-701-11
8-5/8”	<b>70-1105104-17</b>	70-1105004-17	70-1105005	26-012-203	70-401-701-12

**I70™ (IWSTM Style) - MULTI RAM**

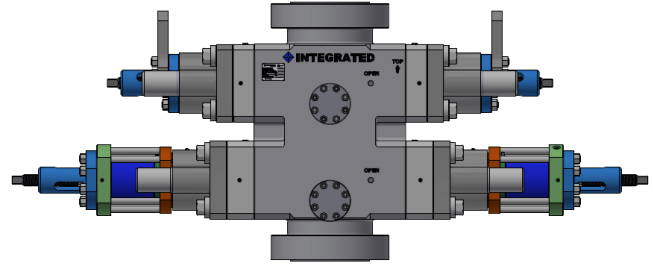
I70™ Multi Ram Size	I70™ Assembly Part Number	I70™ Assembly Sub-Component Part Number		
		Ram Block API 16A Monogrammed (2 pieces required)	Multi Ram Front Packer Material - NBR (2 pieces required)	Top Seal Material - XNBR (2 pieces required)
2-7/8” to 5”	<b>70-401-702-VK</b>	70-401-701-V2	70-401-701-V	70-401-701-V1

**8.0**

**IU™ 11" – 3/10K RAM BOP (U Style)**  
**Ram Assemblies | Ram Blocks | Front Packers | Top Seals | VBR | SBR**



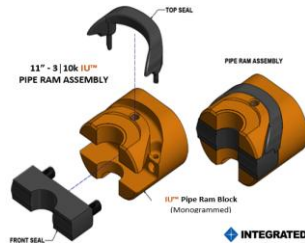
INTEGRATED® 11" – 3/10k, Single (SR) Ram Forged Shear IU™ BOP



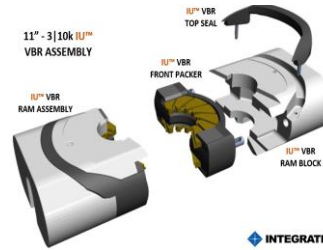
INTEGRATED® 11" – 3/10k, Double (DR) Ram Forged Shear IU™ BOP



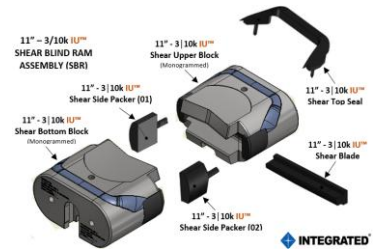
IU™ CSO (Blind) Ram Assembly



IU™ Pipe Ram Assembly



IU™ Variable Bore Ram Assembly (VBR)



IU™ Shear Blind Ram Assembly (SBR)

**IU™ - CSO AND PIPE RAMS**

IU™ Ram Size	IU™ Assembly Part Number	IU™ Assembly Sub-Component Part Number		
		Ram Block (Forged) API 16A Monogrammed (2 pieces required)	Front Packer Material – XNBR (2 pieces required)	Top Seal Material – XNBR (2 pieces required)
CSO	70-1105-00288	70-1105-00285	70-1105-00303	70-1105-00316
2-3/8"	70-1105-00289	70-1105-00170	70-1105-00304	70-1105-00316
2-7/8"	70-1105-00290	70-1105-00171	70-1105-00305	70-1105-00316
3-1/2"	70-1105-00291	70-1105-00172	70-1105-00306	70-1105-00316
4"	70-1105-00292	70-1105-00173	70-1105-00307	70-1105-00316
4-1/2"	70-1105-00293	70-1105-00174	70-1105-00308	70-1105-00316
5"	70-1105-00294	70-1105-00175	70-1105-00309	70-1105-00316
5-1/2"	70-1105-00295	70-1105-00176	70-1105-00310	70-1105-00316
6-5/8"	70-1105-00296	70-1105-00282	70-1105-00311	70-1105-00316
7"	70-1105-00297	70-1105-00177	70-1105-00312	70-1105-00316
7-5/8"	70-1105-00298	70-1105-00178	70-1105-00313	70-1105-00316
8-5/8"	70-1105-00299	70-1105-00283	70-1105-00314	70-1105-00316
9-5/8"	70-1105-00300	70-1105-00284	70-1105-00315	70-1105-00316

**IU™ - VARIABLE BORE RAM (VBR)**

IU™ VBR Ram Size	IU™ Assembly Part Number	IU™ Assembly Sub-Component Part Number		
		Ram Block (Forged) API 16A Monogrammed (2 pieces required)	VBR Front Packer Material – XNBR (2 pieces required)	Top Seal Material – XNBR (2 pieces required)
2-7/8" to 5"	95-1110000-VK	70-1105-00082	70-1105-00217	70-1105-00316

**IU™ - IFLEX™**

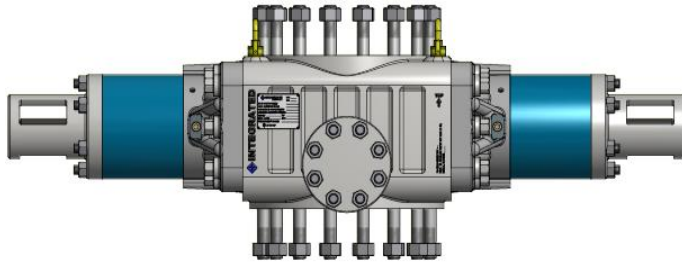
IU™ Ram Size	IU™ Assembly Part Number	IU™ Assembly Sub-Component Part Number		
		Ram Block (Forged) API 16A Monogrammed (2 pieces required)	IFlex™ Front Packer Material – NBR (2 pieces required)	Top Seal Material – XNBR (2 pieces required)
3-1/2" to 5"	95-1110000-VK1	95-111000-V1	95-1110000-V-03	70-1105-00316

**IU™ - SHEAR BLIND RAM (SBR)**

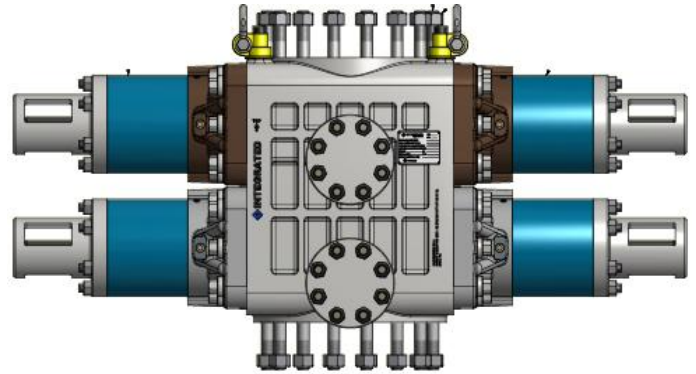
IU™ Complete Assembly Part Number	IU™ Assembly Sub-Component Part Number					
	Ram Top Block (Forged) API 16A Monogrammed (1 piece required)	Ram Bottom Block (Forged) API 16A Monogrammed (1 piece required)	Blade Packer Material – XNBR (1 piece required)	Top Seal Material – XNBR (2 pieces required)	Right Side Packer Material – XNBR (1 piece required)	Left Side Packer Material – XNBR (1 piece required)
70-1105-00302	70-1105-00286	70-1105-00287	70-1110-00134	70-1105-00316	70-1110-00135	70-1110-00136

Note: For 11" – 3/10k IU™, the Top Seal is the same for the CSO, all Pipe Sizes, VBR and SBR

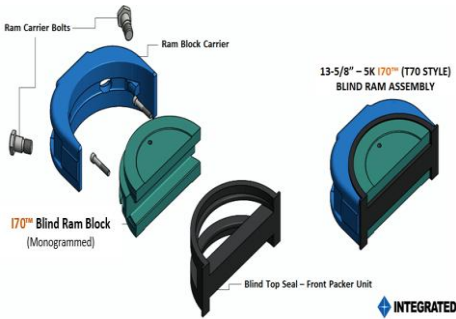
**9.0 I70™ 13-5/8" - 5K RAM BOP (LWS Style)**  
 Ram Assemblies | Ram Blocks | Front Packer – Top Seal Units | Multi Ram Packers & Top Seals



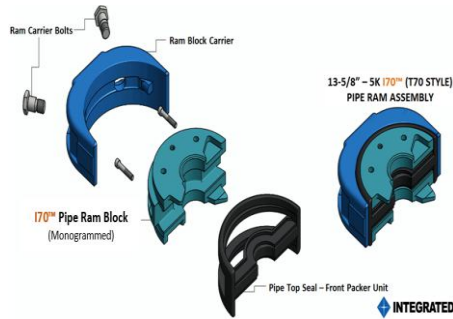
INTEGRATED® 13-5/8" – 5k, Single (SR) Ram IWS™ BOP



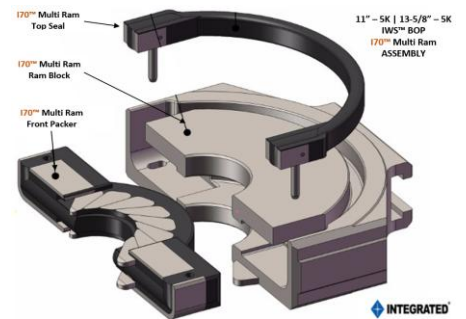
INTEGRATED® 13-5/8" – 5k, Double (DR) Ram IWS™ BOP



**I70™ CSO (Blind) Ram Assembly**



**I70™ Pipe Ram Assembly**



**I70™ Multi Ram Assembly**

**I70™ (IWS™ Style) - CSO AND PIPE RAMS**

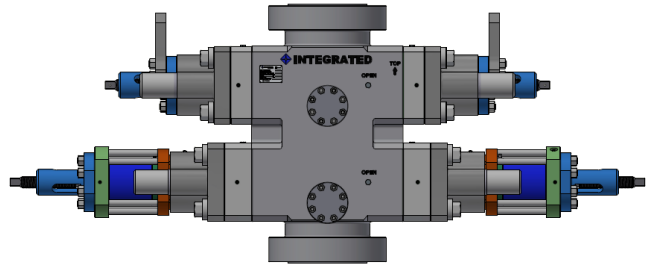
I70™ Ram Size	I70™ Assembly Part Number	I70™ Assembly Sub-Component Part Number			
		Ram Block API 16A Monogrammed (2 pieces required)	Carrier (2 pieces required)	Carrier Bolts (4 pieces required)	Front Packer Top Seal Unit Material – NBR (2 pieces required)
CSO	<b>70-1305101</b>	70-1305001	70-1305005	26-012-135	70-401-801
2-3/8"	<b>70-135101-1</b>	70-1305001-1	70-1305005	26-012-135	70-401-801-1
2-7/8"	<b>70-135101-2</b>	70-1305001-2	70-1305005	26-012-135	70-401-801-2
3-1/2"	<b>70-135101-3</b>	70-1305001-3	70-1305005	26-012-135	70-401-801-3
4"	<b>70-135101-4</b>	70-1305001-4	70-1305005	26-012-135	70-401-801-4
4-1/2"	<b>70-135101-5</b>	70-1305001-5	70-1305005	26-012-135	70-401-801-5
5"	<b>70-135101-6</b>	70-1305001-6	70-1305005	26-012-135	70-401-801-6
5-1/2"	<b>70-135101-7</b>	70-1305001-7	70-1305005	26-012-135	70-401-801-7
6-5/8"	<b>70-135101-8</b>	70-1305001-8	70-1305005	26-012-135	70-401-801-8
7"	<b>70-135101-9</b>	70-1305001-9	70-1305005	26-012-135	70-401-801-9
7-5/8"	<b>70-135101-10</b>	70-1305001-10	70-1305005	26-012-135	70-401-801-10
8-5/8"	<b>70-135101-11</b>	70-1305001-11	70-1305005	26-012-135	70-401-801-11
9-5/8"	<b>70-135101-12</b>	70-1305001-12	70-1305005	26-012-135	70-401-801-12

**I70™ (IWS™ Style) - MULTI RAM**

I70™ Multi Ram Size	I70™ Assembly Part Number	I70™ Assembly Sub-Component Part Number		
		Ram Block API 16A Monogrammed (2 pieces required)	Multi Ram Front Packer Material – XNBR (2 pieces required)	Top Seal Material – XNBR (2 pieces required)
2-7/8" to 5"	<b>70-135101-VK1</b>	70-135101-V03	70-135101-V02	70-135101-V01
4-1/2" to 7"	<b>70-135101-VK2</b>	70-135101-V06	70-135101-V05	70-135101-V04

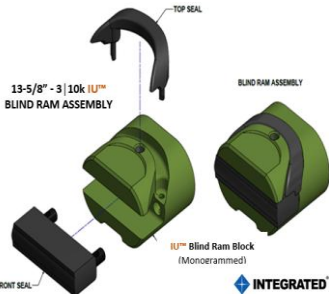
10.0

**IU™ 13-5/8" – 3/10K RAM BOP (U Style)**  
 Ram Assemblies | Ram Blocks | Front Packers | Top Seals | VBR | SBR



INTEGRATED® 13-5/8" – 3/10k, Single (SR) Ram Forged Shear IU™ BOP

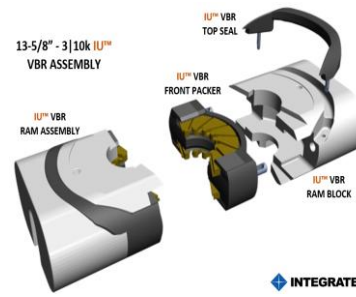
INTEGRATED® 13-5/8" – 3/10k, Double (DR) Ram Forged Shear IU™ BOP



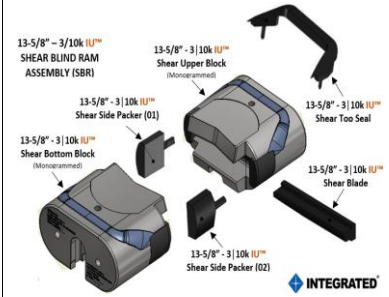
IU™ CSO (Blind) Ram Assembly



IU™ Pipe Ram Assembly



IU™ Variable Bore Ram Assembly (VBR)



IU™ Shear Blind Ram Assembly (SBR)

**IU™ - CSO AND PIPE RAMS**

IU™ Ram Size	IU™ Assembly Part Number	IU™ Assembly Sub-Component Part Number		
		Ram Block (Forged) API 16A Monogrammed (2 pieces required)	Front Packer Material – XNBR (2 pieces required)	Top Seal Material – XNBR (2 pieces required)
CSO	70-1303-00026	70-1303-00004	70-1303-00027	70-1303-00022
2-3/8"	70-1303-00092	70-1303-00028	70-1303-00041	70-1303-00022
2-7/8"	70-1303-00093	70-1303-00029	70-1303-00042	70-1303-00022
3-1/2"	70-1303-00094	70-1303-00030	70-1303-00043	70-1303-00022
4"	70-1303-00095	70-1303-00031	70-1303-00044	70-1303-00022
4-1/2"	70-1303-00096	70-1303-00032	70-1303-00045	70-1303-00022
5"	70-1303-00097	70-1303-00033	70-1303-00046	70-1303-00022
5-1/2"	70-1303-00089	70-1303-00034	70-1303-00047	70-1303-00022
6-5/8"	70-1303-00098	70-1303-00098	70-1303-00049	70-1303-00022
7"	70-1303-00023	70-1303-00013	70-1303-00020	70-1303-00022
7-5/8"	70-1303-00099	70-1303-00036	70-1303-00050	70-1303-00022
8-5/8"	70-1303-00100	70-1303-00037	70-1303-00051	70-1303-00022
9-5/8"	70-1303-00101	70-1303-00090	70-1303-00021	70-1303-00022

**IU™ - VARIABLE BORE RAM (VBR)**

IU™ VBR Size	IU™ Assembly Part Number	IU™ Assembly Sub-Component Part Number		
		Ram Block (Forged) API 16A Monogrammed (2 pieces required)	VBR Front Packer Material – NBR (2 pieces required)	Top Seal Material – XNBR (2 pieces required)
2-7/8" to 5"	70-1303-00019	70-1303-00009	70-1303-00017	70-1303-00022-V
3-1/2" to 5-1/2"	70-1303-00104	70-1303-00091	70-1303-00017	70-1303-00022-V
4-1/2" to 7"	70-1303-00018	70-1303-00008	70-1303-00016	70-1303-00022-V

**IU™ - SHEAR BLIND RAM (SBR)**

IU™ Complete Assembly Part Number	IU™ Assembly Sub-Component Part Number					
	Ram Top Block (Forged) API 16A Monogrammed (1 piece required)	Ram Bottom Block (Forged) API 16A Monogrammed (1 piece required)	Blade Packer Material – XNBR (1 piece required)	Top Seal Material – XNBR (2 pieces required)	Right Side Packer Material – XNBR (1 piece required)	Left Side Packer Material – XNBR (1 piece required)
95-1303-00010	70-1303-00007	70-1303-00006	70-1310-00180	70-1303-00022	70-1310-00181	70-1310-00182

Note: For 13-5/8" – 3/10k IU™, the Top Seal is the same for the CSO, all Pipe Sizes and SBR  
 For 13-5/8" – 3/10k IU™, the VBR Front Packer for the 2-7/8" to 5", 3-1/2" to 5-1/2" are the same. The only difference is the ram block



**INTEGRATED®**

**GLOBAL HEADQUARTERS**

5701 Brittmoore Road, Houston, Texas USA 77041

Contact: 713-785-7075 | Fax: 713-785-7099 | Email: sales@integratedwww.com | Website: www.integratedwww.com

**INTEGRATED®  
EQUIPMENT**

West Texas, USA Operations  
13020 Hwy 191, Suite H  
Midland, Texas USA 79707

**INTEGRATED®  
EQUIPMENT INTERNATIONAL**

Canada Operations  
Edmonton, Canada  
Alberta Corporate ULC

**INTEGRATED®  
EQUIPMENT INTERNATIONAL**

Dubai, UAE Operations

**INTEGRATED®  
ELASTOMERS**

OEM Elastomer Manufacturing  
31811 Industrial Park Drive  
Pinchurst, Texas USA 77362

**INTEGRATED®  
EQUIPMENT (India) LIMITED**

OEM Equipment Manufacturing  
Pune-Nagar Highway, Kondhapuri  
Pune 412209

**INTEGRATED®  
EQUIPMENT INTERNATIONAL**

South America Operations  
Edificio PH909, Calle 50 y Calle Este  
San Fransisco, Republica of Panama

*Ram Block & Assembly Electronic Catalog*



*Elastomer Electronic Catalog*



**INTEGRATED® Licenses & Certifications**



**6A-0851**  
21<sup>st</sup> Edition

**16A-0197**  
4<sup>th</sup> Edition

**16AR-0015**  
2<sup>nd</sup> Edition

**16C-0564**  
3<sup>rd</sup> Edition

**20E-0087**  
3<sup>rd</sup> Edition



**Q1-4952**  
(10<sup>th</sup> Edition)



**RQ91/4505**  
(QMS Certification)



**U59670**  
(Pressure Vessels – PD)



**CE0062**  
(Europe)



**Canada Registration No.**  
(CRN)

BH/2024